



### Mini vacuum switch – electronic with digital output



Example: mini vacuum switch 20.040 on ejector EBA.08H.2-A and flat vacuum cup Ø 40 mm

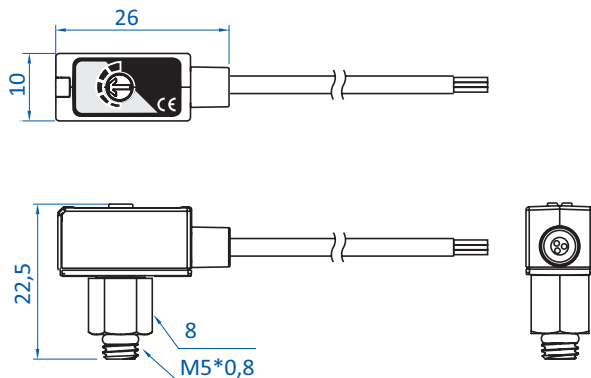
#### Product notes

- > Switch outputs a digital signal when a specific vacuum level is reached
- > Vacuum level is manually set with a potentiometer screw
- > Hysteresis is fixed
- > Red LED indicates set level reached
- > Space-saving installation on ejectors thanks to very small design
- > Included in scope of delivery: cable 1.5 m, 3-pole, open wire

#### Technical data

Item no.	20.040	20.041
Adjustable range [mbar (psi)]	-990 - 0 (-14.4 - 0)	-990 - 0 (-14.4 - 0)
Hysteresis	3 % from default setting	3 % from default setting
Digital switching outputs	PNP	NPN
Response time [ms]	~ 1	~ 1
Repeat accuracy [%]	≤ ± 1 % from measuring range	≤ ± 1 % from measuring range
Overpressure safety [bar (psi)]	2 (29)	2 (29)
Supply voltage [VDC]	10.8 - 30	10.8 - 30
Max. current consumption [mA]	10	10
Vacuum connection	M5	M5
Protection class	IP40	IP40
Suitable media	Filtered, oiled or unoled air or neutral gases	Filtered, oiled or unoled air or neutral gases
Operating temperature [°C (°F)]	0 - 60 (32 - 140)	0 - 60 (32 - 140)
Weight [g]	20	20

#### Dimensions



#### Wiring diagrams

