



# Vacuum generation | Compact ejectors

MFE – Multi-Function vacuum ejectors

## MFE – Multi-Function vacuum ejectors



### Product notes

- > Electrical connector M12
- > Automatic air-saving AUTOVAC (save up to 95 % compressed air on air tight surfaces)
- > Vacuum switch integrated
- > Blow-off with input signal or automatic (on stopping vacuum generation signal) with fixed, or self-optimizing blow-off time
- > Adjustment screw to limit blow-off flow
- > Integrated non-return valve
- > Operation NO or NC
- > Predictive maintenance available on 8 pin model (-S)
- > Includes silencer
- > Bundle up to 5 units on optional manifolds (use blind plates in unused slots to make your setup future proof)
- > Extremely robust towards voltage fluctuations

### Technical data

Item no.	Operating principle	Electric connection	Optimal operating pressure [bar (psi)]	Operating pressure [bar (psi)]	Suction power at 5 bar (72.5 psi) [Nl/min]	Air consumption at 5 bar (72.5 psi) [Nl/min]	Final vacuum [%]	Nozzle diameter [mm]	Weight [g]
<b>MFE-100H-A-D-S</b>	NC	M12, 5-pin	5 (72.5)	4 - 7 (58 - 101.5)	80	110	85	1.5	360
<b>MFE-100H-A-S-S</b>	NC	M12, 8-pin	5 (72.5)	4 - 7 (58 - 101.5)	80	110	85	1.5	360
<b>MFE-200H-A-D-S</b>	NC	M12, 5-pin	5 (72.5)	4 - 7 (58 - 101.5)	145	200	85	2	360
<b>MFE-200H-A-S-S</b>	NC	M12, 8-pin	5 (72.5)	4 - 7 (58 - 101.5)	145	200	85	2	360
<b>MFE-300H-A-D-S</b>	NC	M12, 5-pin	5 (72.5)	4 - 7 (58 - 101.5)	195	300	85	2.5	360
<b>MFE-300H-A-S-S</b>	NC	M12, 8-pin	5 (72.5)	4 - 7 (58 - 101.5)	195	300	85	2.5	360
<b>MFE-400H-A-D-S</b>	NC	M12, 5-pin	5 (72.5)	4 - 7 (58 - 101.5)	245	430	85	3	360
<b>MFE-400H-A-S-S</b>	NC	M12, 8-pin	5 (72.5)	4 - 7 (58 - 101.5)	245	430	85	3	360
<b>MFE-100H-B-D-S</b>	NO	M12, 5-pin	5 (72.5)	4 - 7 (58 - 101.5)	80	110	85	1.5	360
<b>MFE-100H-B-S-S</b>	NO	M12, 8-pin	5 (72.5)	4 - 7 (58 - 101.5)	80	110	85	1.5	360
<b>MFE-200H-B-D-S</b>	NO	M12, 5-pin	5 (72.5)	4 - 7 (58 - 101.5)	145	200	85	2	360
<b>MFE-200H-B-S-S</b>	NO	M12, 8-pin	5 (72.5)	4 - 7 (58 - 101.5)	145	200	85	2	360
<b>MFE-300H-B-D-S</b>	NO	M12, 5-pin	5 (72.5)	4 - 7 (58 - 101.5)	195	300	85	2.5	360
<b>MFE-300H-B-S-S</b>	NO	M12, 8-pin	5 (72.5)	4 - 7 (58 - 101.5)	195	300	85	2.5	360
<b>MFE-400H-B-D-S</b>	NO	M12, 5-pin	5 (72.5)	4 - 7 (58 - 101.5)	245	430	85	3	360
<b>MFE-400H-B-S-S</b>	NO	M12, 8-pin	5 (72.5)	4 - 7 (58 - 101.5)	245	430	85	3	360



### Electrical connections

- > Supply voltage 24 VDC
- > Voltage output signals 24 VDC (PNP) max. 100 mA
- > Voltage input signals 24 VDC (PNP)
- > Protection class IP65 (with connector)
- > Operating temperature 0 - +50 °C

### Model selection

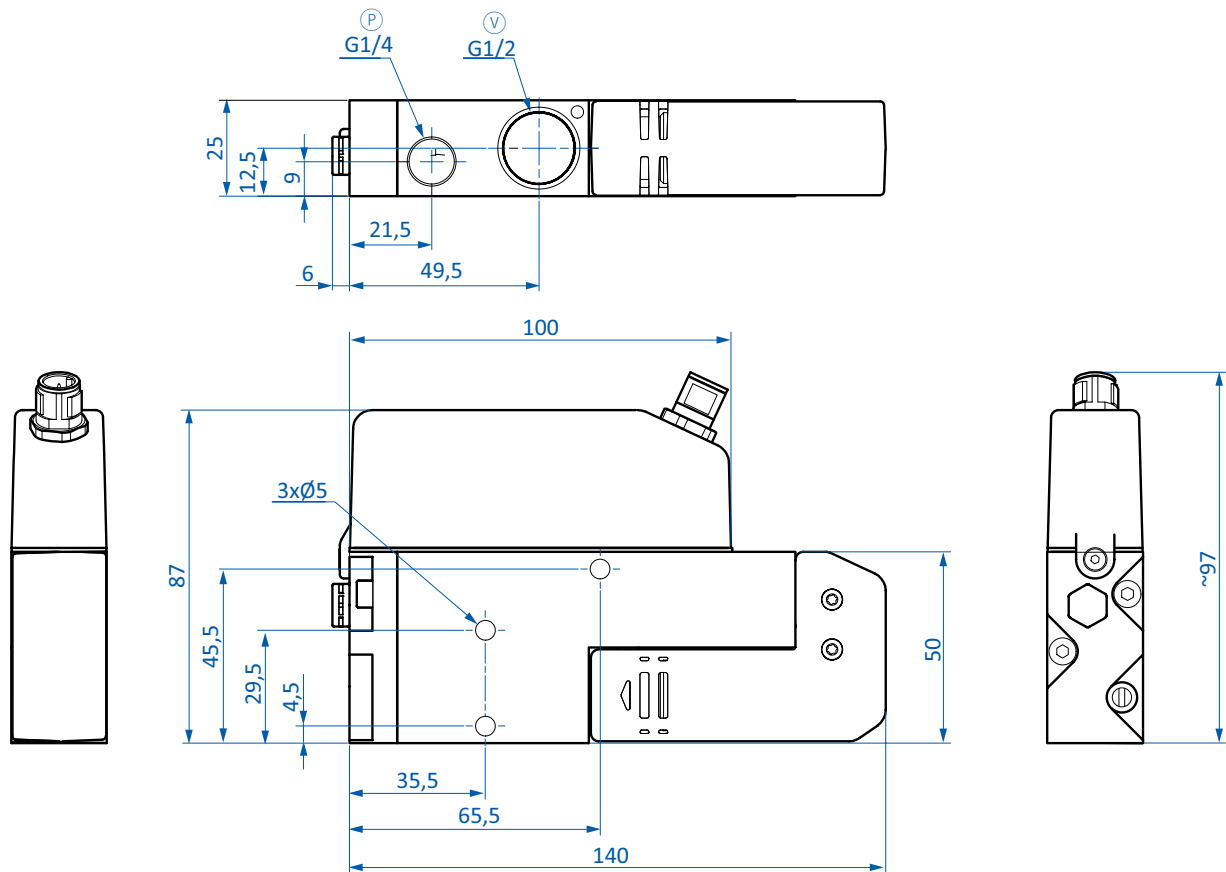
#### Ordering example:

MFE-100H-A-D-S = 80 NI/min, operating principle NC, connection M12 5-pin, with silencer

MFE-400H-B-S-S = 245 NI/min, operating principle NO, connection M12 8-pin, with silencer

Series	Suction power	Operating principle	Electric connection	Silencer
MFE	100H = 80 [NI/min] 200H = 145 [NI/min] 300H = 195 [NI/min] 400H = 245 [NI/min]	A = NC B = NO	D = 5-pin S = 8-pin	S (with)

### Dimensions

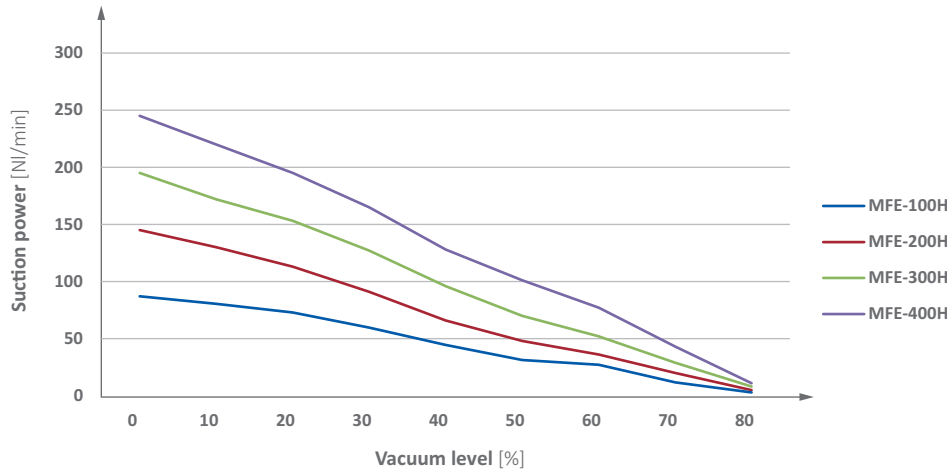




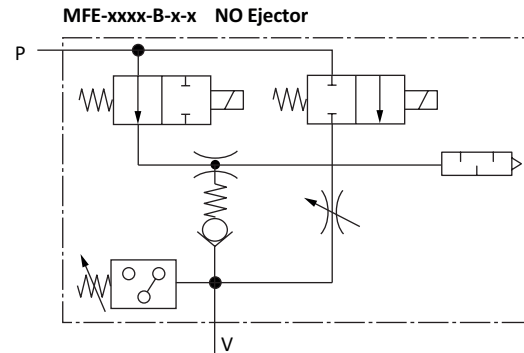
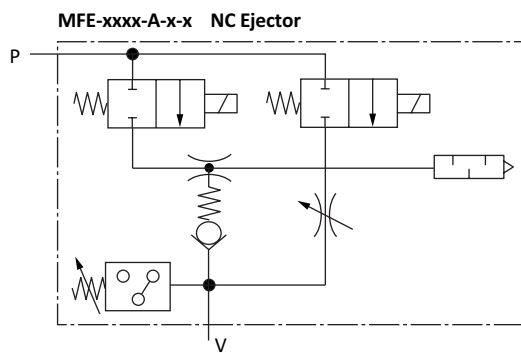
# Vacuum generation | Compact ejectors

MFE – Multi-Function vacuum ejectors

## Suction power against vacuum level [NI/min] at 5 bar (72.5 psi)



## Wiring diagrams



## Range of functions depending on electrical connection

	Model -D M12, 5-pin	Model -S M12, 8-pin
Time controlled blow off	✓	✓
Adaptive blow off	✓	✓
Manual / external blow-off	✓	✓
Feedback, vacuum OK / blow-off OK	✓	✓
Feedback, preventive maintenance *	--	✓

\* Signal in the event of deviation of the vacuum supply, e.g. if leakage occurs

## Accessories: cable and adapter

### MFE-xxxx-x-D-x

- > 20.508 Connecting cable 2 m straight
- > 20.509 Connecting cable 2 m 90° elbow
- > 20.552 Extension cable 2 m
- > 20.554 Adapter to 2x plug M8 3-pin

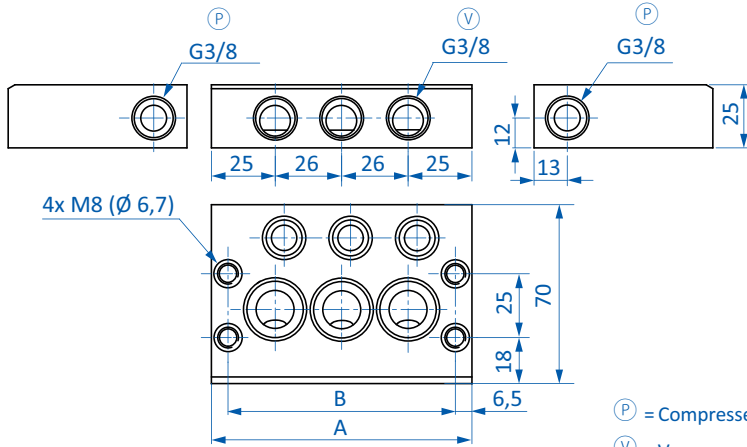
### MFE-xxxx-x-S-x

- > 20.558 Connecting cable 2 m 90° elbow

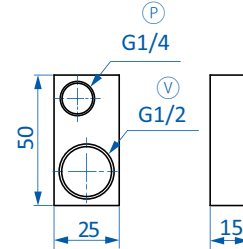


## Accessories: manifold and blind plate

### Manifolds



### Blind plate



Ⓟ = Compressed air connection  
Ⓥ = Vacuum connection

Item no.	Design for MFE-Ejectors	Number of MFE Ejectors	Vacuum connection V	Weight [g]	A [mm]	B [mm]
MFE-MAN2	Manifold *	2	G3/8 (x2)	325	76	63
MFE-MAN3	Manifold *	3	G3/8 (x3)	445	102	89
MFE-MAN4	Manifold *	4	G3/8 (x4)	560	128	115
MFE-MAN5	Manifold *	5	G3/8 (x5)	680	154	141
MFE-MAN0	Blind plate for manifold	--	--	40	--	--

\*Screws and seals included in the scope of delivery

