



Elastomer pads



Product notes

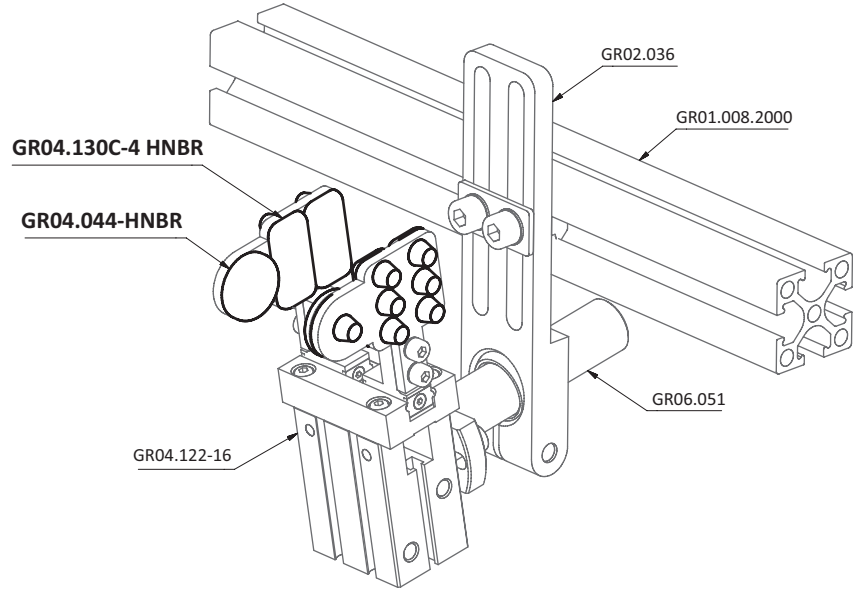
- > Multi-purpose HNBR and silicone pads
- > Soft touch for handling sensitive product
- > HNBR flocked for highest demands on impression-free gripping
- > Easy to adapt to parallel, angular, or sprue grippers (e.g. GR04.130U) using machined or 3D printed jaws – just incorporate the bore pattern provided

Technical data

Item no.	Design	Size [mm]	Material
GR04.034-HNBR	Round	Ø 11	HNBR
GR04.044-HNBR	Round	Ø 17	HNBR
GR04.080-11H	Rectangle	13.5x3	HNBR
GR04.080-11S	Rectangle	13.5x3	Silicone (FDA compliant)
GR04.090-4	Rectangle	18x4	HNBR
GR04.090-4SI	Rectangle	18x4	Silicone (FDA compliant)
GR04.103-4 HNBR	Rectangle	20x8	HNBR
GR04.103-HNBR-80SH	Rectangle	20x8	HNBR 80° Shore
GR04.103-4 HNBR-F	Rectangle	20x8	HNBR, flocked
GR04.024-HNBR	Rectangle	20x15	HNBR
GR04.130C-4 HNBR	Rectangle	24x12	HNBR
GR04.130C-4 HNBR-F	Rectangle	24x12	HNBR, flocked
GR04.042-HNBR	Rectangle	30x20	HNBR



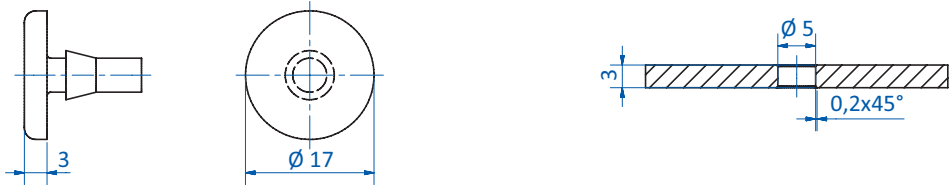
Application example



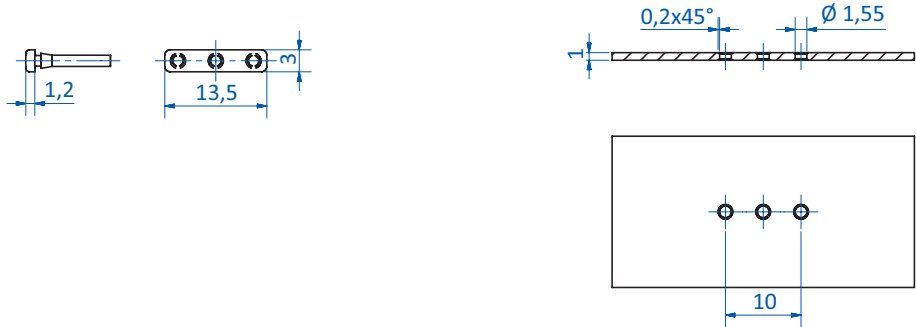
Dimensions



GR04.034-HNBR



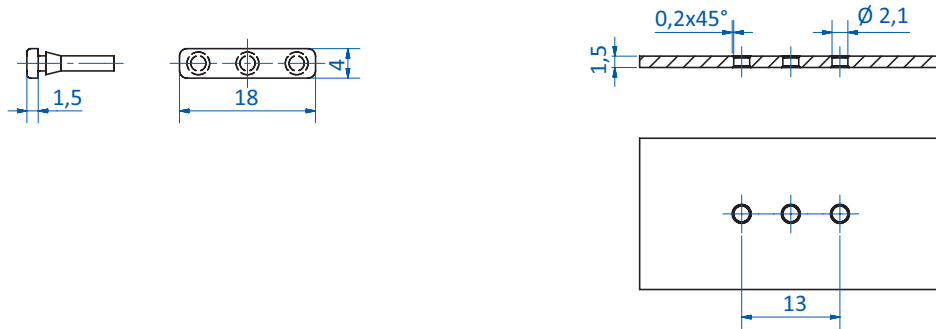
GR04.044-HNBR



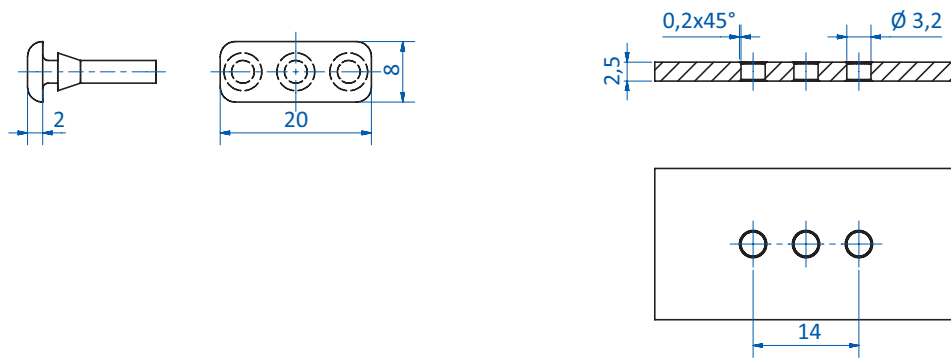
GR04.080-11H | GR04.080-11S



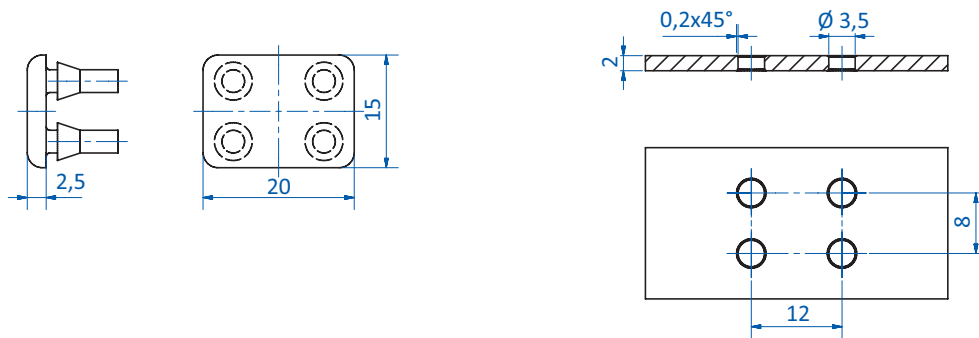
Dimensions



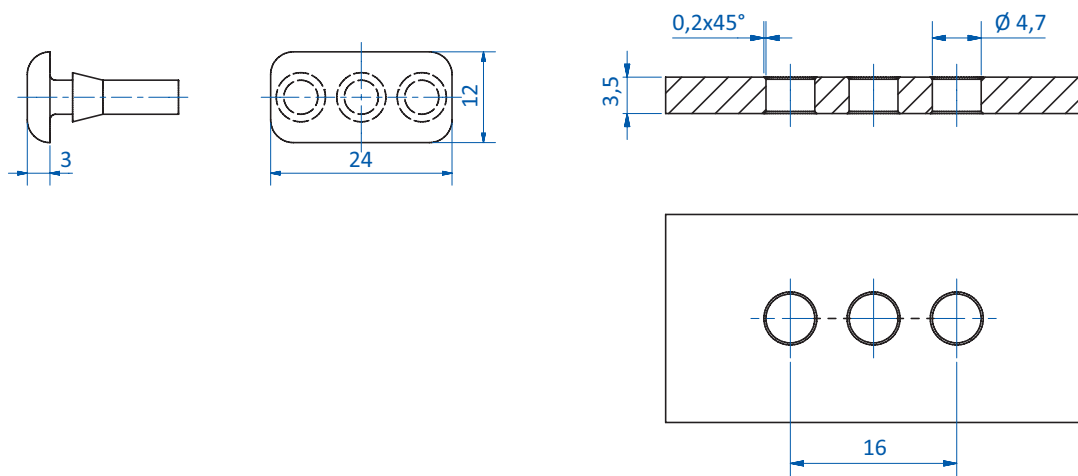
GR04.090-4 | GR04.090-4SI



GR04.103-4 HNBR | GR04.103-HNBR-80SH | GR04.103-4 HNBR-F



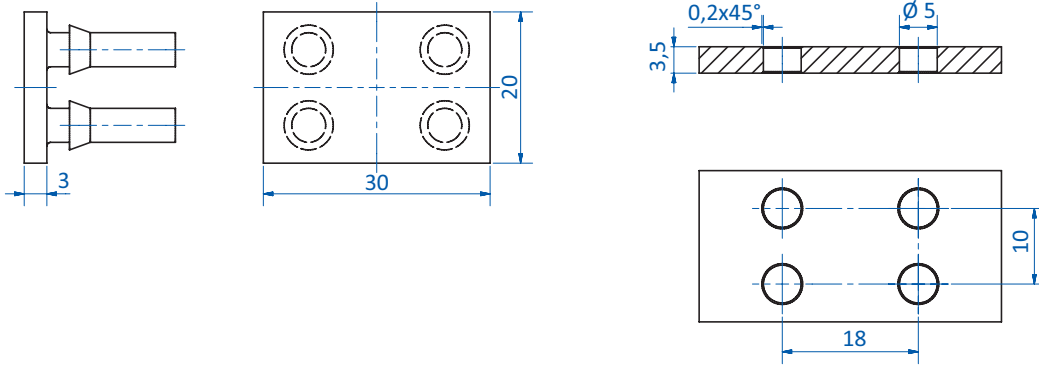
GR04.024-HNBR



GR04.130C-4 HNBR | GR04.130C-4 HNBR-F



Dimensions



GR04.042-HNBR