



Series 90 – miniature sprue grippers, clamping diameter 10 mm – single-acting



Product notes

- > Grippers for small gates and limited space requirement
- > High gripping force and wide jaw opening
- > Housings and gripper jaws consist of an anodized, high-strength aluminum alloy
- > Model H with replaceable HNBR pads for gentle handling
- > Model SI with replaceable silicone pads for gentle handling at high temperatures
- > Index 1N and 1P for direct sensor monitoring
- > Index 2N and 2P for teachable sensors, direct/indirect sensor monitoring
- > Index 3P for indirect sensor monitoring
- > PNP Inverter 20.530 enables direct control of parts on gripper GR04.090-3N: Sensor triggers as soon as part is gripped
- > The converter 20.531 enables the use of grippers in NPN circuits
- > Single-acting
- > Medium: filtered and oiled/non-oiled air
- > Ambient air temperature: -20°C to +80°C (-4 °F to 176 °F)
- > Ambient air temperature for sprue grippers with sensor: -20°C to +75°C (-4 °F to 167 °F)

Technical data

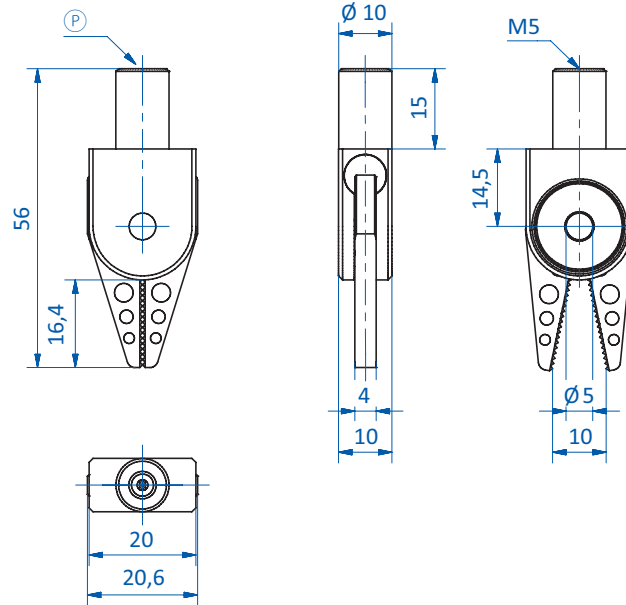
Item no.	Jaw	Operating pressure [bar (psi)]	Sensor	Closing force at 6 bar (87 psi) [N]	Weight [g]	Accessories
GR04.090	Standard	2.5 - 6 (36.3 - 87)	without	15	14	--
GR04.090H	HNBR Pad	2.5 - 6 (36.3 - 87)	without	15	15	HNBR pad: GR04.090-4
GR04.090SI	Silicone pad	2.5 - 6 (36.3 - 87)	without	15	15	Silicone pad: GR04.090-4SI
GR04.090-1N	Standard	2.5 - 6 (36.3 - 87)	NPN, direct monitoring, one freely adjustable switching point	15	16	Connecting cable: 20.503 Signal converter: 20.530 Signal converter: 20.531
GR04.090-1P	Standard	2.5 - 6 (36.3 - 87)	PNP, direct monitoring, one freely adjustable switching point	15	16	Connecting cable: 20.503 Signal converter: 20.530 Signal converter: 20.531
GR04.090-3P	Standard	2.5 - 6 (36.3 - 87)	PNP, indirect monitoring	15	14	Connecting cable: 20.503 Signal converter: 20.530 Signal converter: 20.531
GR04.090H-2N	HNBR Pad	2.5 - 6 (36.3 - 87)	NPN, direct monitoring, two freely adjustable switching points	15	17	Connecting cable: 20.501 Connecting cable: 20.502 HNBR pad: GR04.090-4
GR04.090H-2P	HNBR Pad	2.5 - 6 (36.3 - 87)	PNP, direct monitoring, two freely adjustable switching points	15	17	Connecting cable: 20.501 Connecting cable: 20.502 HNBR pad: GR04.090-4
GR04.090SI-2N	Silicone pad	2.5 - 6 (36.3 - 87)	NPN, direct monitoring, two freely adjustable switching points	15	17	Connecting cable: 20.501 Connecting cable: 20.502 Silicone pad: GR04.090-4SI
GR04.090SI-2P	Silicone pad	2.5 - 6 (36.3 - 87)	PNP, direct monitoring, two freely adjustable switching points	15	17	Connecting cable: 20.501 Connecting cable: 20.502 Silicone pad: GR04.090-4SI



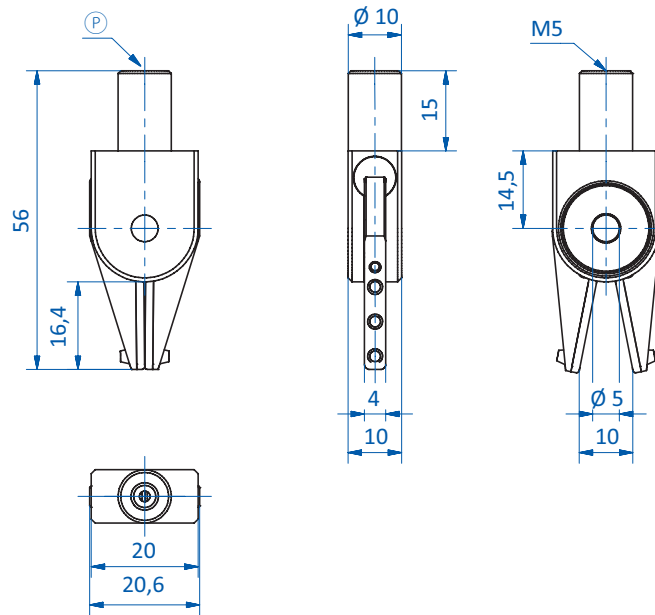
Grippers | Sprue grippers

Series 90 – miniature sprue grippers, clamping diameter 10 mm – single-acting

Dimensions



GR04.090

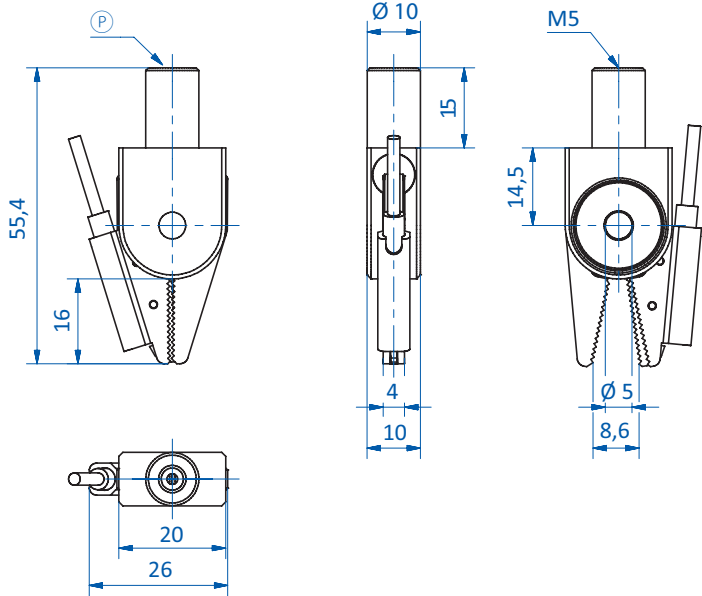


GR04.090H | GR04.090SI

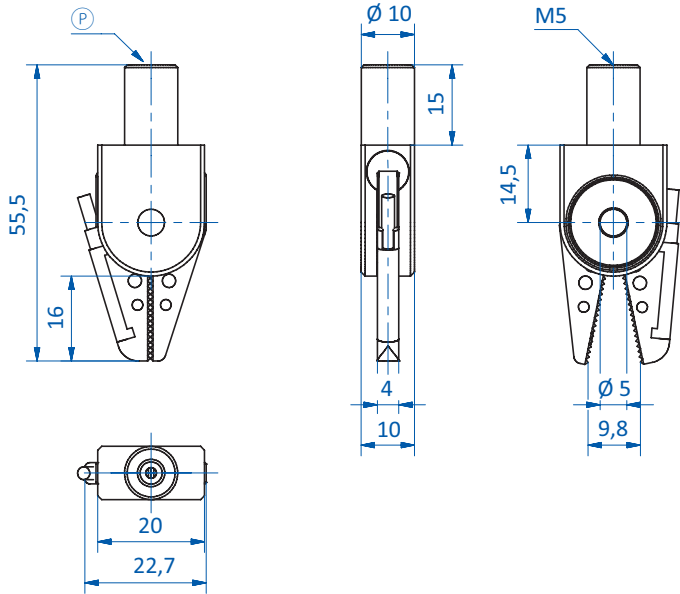
Ⓟ = Compressed air connection



Dimensions



GR04.090-1N | GR04.090-1P



GR04.090-3P

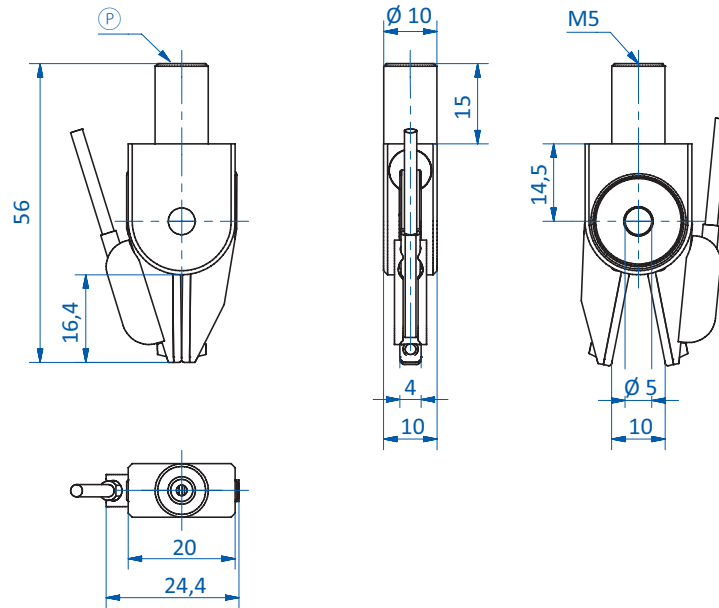
Ⓟ = Compressed air connection



Grippers | Sprue grippers

Series 90 – miniature sprue grippers, clamping diameter 10 mm – single-acting

Dimensions



GR04.090H-2N | GR04.090H-2P | GR04.090SI-2N | GR04.090SI-2P

Ⓟ = Compressed air connection