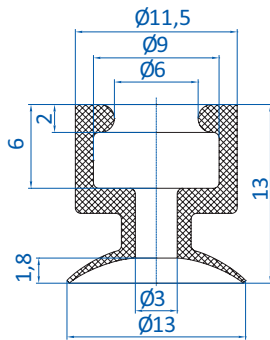


# Vacuum suction cups compatible with Müller-Martini printing machines

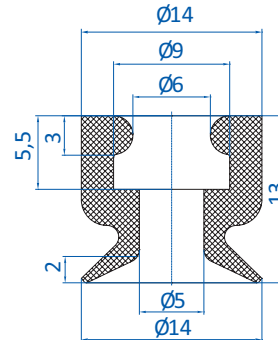


Connection
270.037 M5-male
270.373 M6-male
270.085 G1/8-male
270.086 G1/8-female

**Item no.**  
102.012.332\_\*

**Material**  
NR (or)

1,5 mm

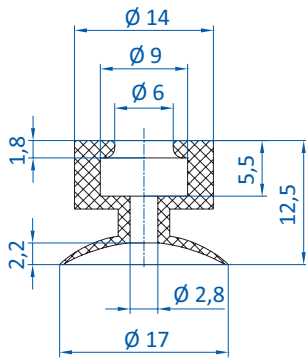


Connection
270.037 M5-male
270.373 M6-male
270.085 G1/8-male
270.086 G1/8-female

**Item no.**  
102.014.333\_\*

**Material**  
NR (or)

2 mm

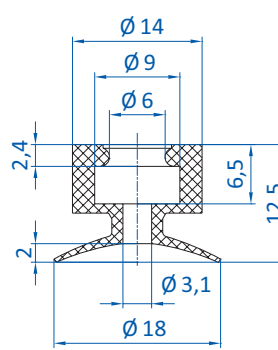


Connection
270.037 M5-male
270.373 M6-male
270.085 G1/8-male
270.086 G1/8-female

**Item no.**  
102.016.255\_\*

**Material**  
SI (r)

3 mm

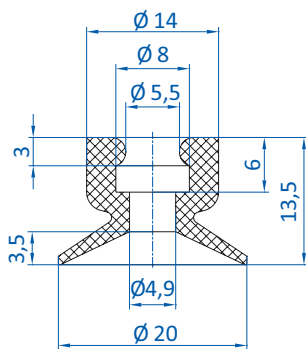


Connection
270.037 M5-male
270.373 M6-male
270.085 G1/8-male
270.086 G1/8-female

**Item no.**  
102.018.442\_\*

**Material**  
NR (or)

2 mm

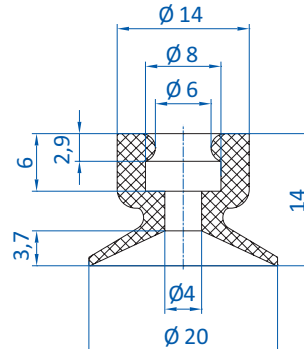


Connection
270.037 M5-male
270.373 M6-male
270.085 G1/8-male
270.086 G1/8-female

**Item no.**  
102.020.140\_\*

**Material**  
NR (sw), NR (or)

3 mm



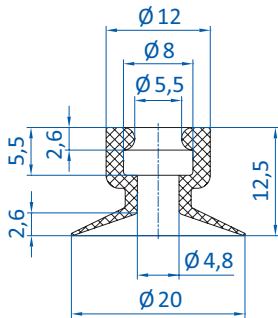
Connection
270.037 M5-male
270.373 M6-male
270.085 G1/8-male
270.086 G1/8-female

**Item no.**  
126.020.004\_\*

**Material**  
SI (tr), SI-LE (tr), NR (or), NR (br)

3,5 mm

# Vacuum suction cups compatible with Müller-Martini printing machines

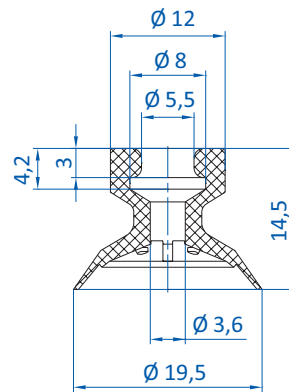


Connection
270.037 M5-male
270.373 M6-male
270.085 G1/8-male
270.086 G1/8-female

Item no.  
126.020.005.\*

Material  
NBR (sw), SI (tr), NR (sw)

1 mm

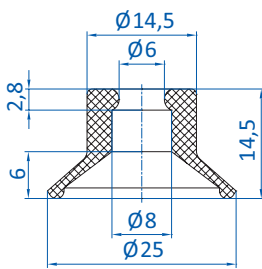


Connection
270.037 M5-male
270.373 M6-male
270.085 G1/8-male
270.086 G1/8-female

Item no.  
102.020.272.\*

Material  
NR (sw)

1 mm

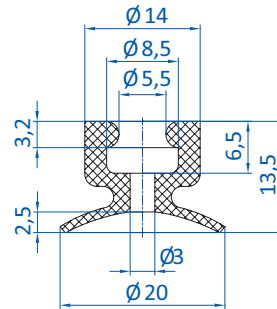


Connection
270.200 M5-male
270.064 G1/8-male
270.065 G1/8-female

Item no.  
102.025.102.\*

Material  
NR (g), NR (sw)

4 mm



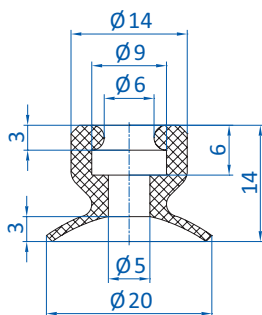
Connection
270.037 M5-male
270.373 M6-male
270.085 G1/8-male
270.086 G1/8-female

**WEAR-RESISTANT**

Item no.  
102.020.299.\*

Material  
Vulkollan® (br)

3,5 mm



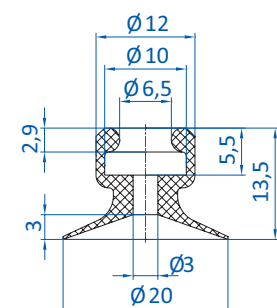
Connection
270.037 M5-male
270.373 M6-male
270.085 G1/8-male
270.086 G1/8-female

Item no.  
102.020.300.\*

Material  
Vulkollan® (br)

3 mm

**WEAR-RESISTANT**



Connection
270.037 M5-male
270.373 M6-male
270.085 G1/8-male
270.086 G1/8-female

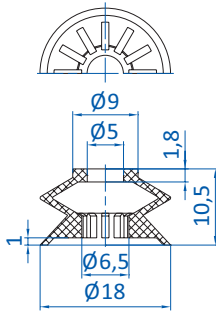
**WEAR-RESISTANT**

Item no.  
102.020.308.\*

Material  
Vulkollan® (br)


1 mm

# Vacuum suction cups compatible with Müller-Martini printing machines



**Item no.**  
23.018.183.\_\*

**Material**  
NR (or)

 5,5 mm