



Series | Bellows vacuum cups SB

Vacuum cups for baked goods – SL-B

Vacuum cups for baked goods – SL-B



Product description

Bellows vacuum cups especially suitable for baked goods such as waffles, bread, rolls, pizzas and donuts.

Advantage

- > Large degree of leveling
- > Gentle attachment to the product
- > Good holding strength through optimized lip geometry
- > FDA-compliant

Ordering notes:

Matching assembly aid for special fitting 270.419: Item no. 90.007

Technical data

Item no.	Model / Lip dimensions	Number of folds	Number of folds	Material / Colour
21.034.179._*	SL-B-34	12	2.5	SI-LE (tr)
25.038.016._*	SL-B-38	24	4.5	SI (tr), SI-LE (tr)
27.039.017._*	SL-B-38A	20	5.5	SI (tr)
25.040.043._*	SL-B-40	24	4.5	SI (tr)
25.040.058._*	SL-B-40A	25	4.5	SI (bl), SI-LE (bl)
21.060.074._*	SL-B-60	12	2.5	SI (tr)

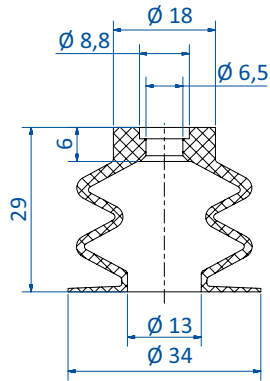
Accessories

Item no.	Suitable fittings				
	Without Thread	M6-male	G1/4-male	G1/4-female	G1/2-male
21.034.179._*	--	270.039	--	--	--
25.038.016._*	270.419	--	270.183	270.182	--
27.039.017._*	270.419	--	270.183	270.182	--
25.040.043._*	270.419	--	270.183	270.182	--
25.040.058._*	270.419	--	270.183	270.182	--
21.060.074._*	--	--	--	--	270.372

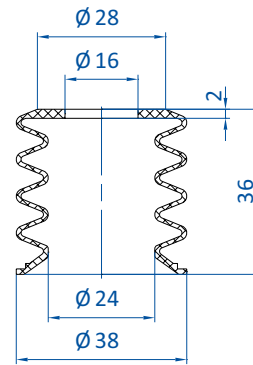
* When ordering please add the appropriate material code to item no. You will find it on www.fipa.com.



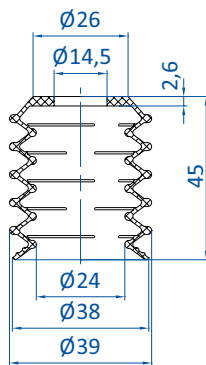
Dimensions



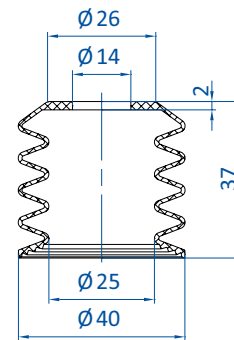
Drawing A



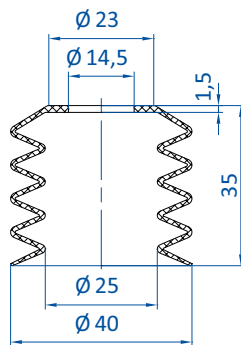
Drawing B



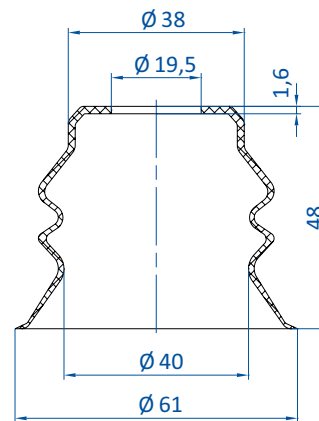
Drawing C



Drawing D



Drawing E



Drawing F

Item no.	Drawing
21.034.179._*	A
25.038.016._*	B
27.039.017._*	C
25.040.043._*	D
25.040.058._*	E
21.060.074._*	F

* When ordering please add the appropriate material code to item no. You will find it on www.fipa.com.