



Silencers with filter function



Series 1: brass construction with stainless steel wire fabric



Series 2: brass construction with sintered material

Product notes

- > Combination of silencer and air filter
- > 72.015 - 72.021: also suitable as protective filter for 3/2-way valves at ventilation/blow-off inlet (under contaminated environmental conditions)
- > 72.022 - 72.027: can be mounted directly into the vacuum cup or the fitting, temperature-resistant up to 120 °C (248 °F)

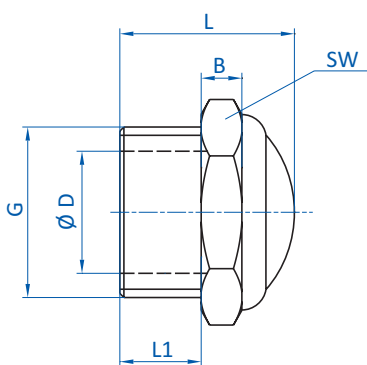
Technical data

Item no.	Series	Weight [g]
72.015	1	2
72.016	1	6
72.017	1	10
72.018	1	15
72.019	1	25
72.020	1	38
72.021	1	56
72.022	2	1
72.023	2	3
72.024	2	6
72.025	2	12

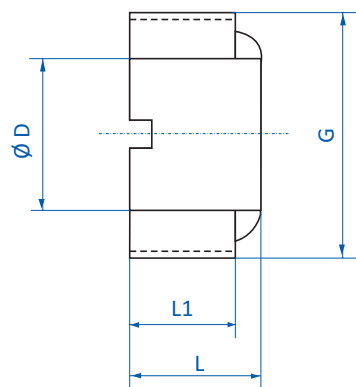
Dimensions

G	B [mm]	Ø D [mm]	L [mm]	L1 [mm]	SW
M5	3.5	2.5	9.5	4	8
G1/8	4	6	14	6	13
G1/4	5	8.5	18.5	8	16
G3/8	6	11	19.5	8	19
G1/2	5	15	22.5	10	24
G3/4	6	20	25.5	10	30
G1	6.5	26	31	11.5	36
G1/8	--	5.5	4.5	3.5	--
G1/4	--	7	6.8	4.5	--
G3/8	--	9.5	6.8	5	--
G1/2	--	12	9	7	--

Dimensions



72.015 | 72.016 | 72.017 | 72.018 | 72.019 | 72.020 | 72.021



72.022 | 72.023 | 72.024 | 72.025