



### Gripper clamps



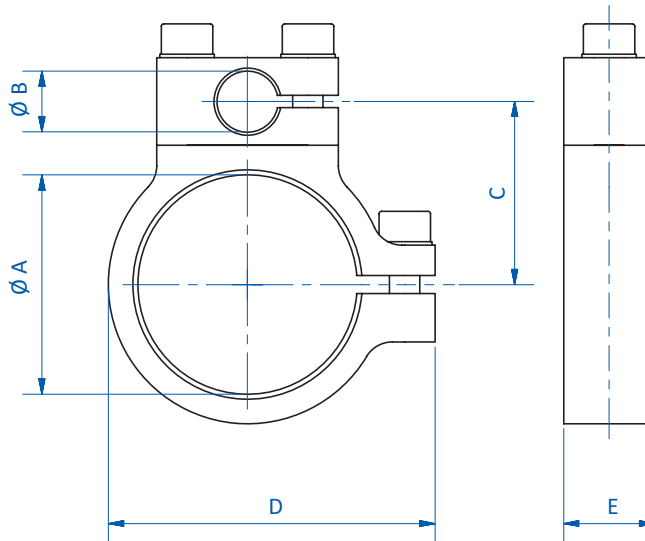
#### Product notes

- > Mounting of the grippers to the air nippers for holding the sprue during the cutting process
- > Optimal adjustment by using elbow gripper arms

#### Technical data

Item no.	Weight [g]	Air nippers
GT-NR10GR	57	GT-NR10L
GT-NR20GR	60	GT-NR20
GT-NR30GR	66	GT-NR30
GT-NR50GR	82	GT-NR50

#### Dimensions



Item no.	Ø A [mm]	Ø B [mm]	C [mm]	D [mm]	E [mm]
GT-NR10GR	36	10	30.25	54	15
GT-NR20GR	45	10	34.75	62.5	15
GT-NR30GR	56	10	40.25	73.5	15
GT-NR50GR	75	10	53	92.5	15