



Adapter for S Series quick change systems



Product notes

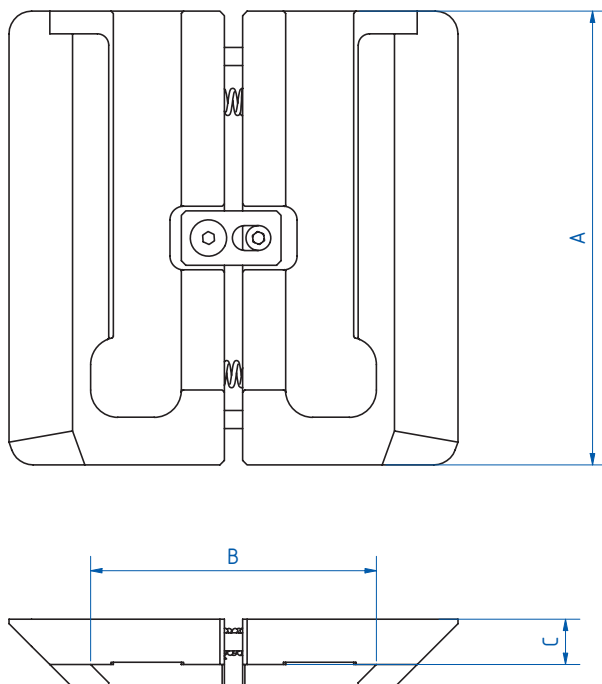
- > Mount grippers with smaller dovetail plate to a larger robot side
- > No tools required

Technical data

Dimensions

Item no.	Industry standard code	Weight [g.]	Accessories	Dimensions		
				A [mm]	B [mm]	C [mm]
GR05.206	GR-1 => GR-0	256	Gripper mounting plate: GR05.042 Robot adapter plate: GR05.021	100	60	10
GR05.207	GR-2 => GR-1	715	Gripper mounting plate: GR05.022 Robot adapter plate: GR05.031	160	100	9
GR05.209	GR-3 => GR-2	2,465	Gripper mounting plate: GR05.032 Gripper mounting plate: GR05.063 Robot adapter plate: GR05.051	250	160	13

Dimensions



Application example

