



Vacuum cup elbow – swivel



Product notes

- > Swivelling extension for vacuum cups
- > Vacuum only (not for compressed air)

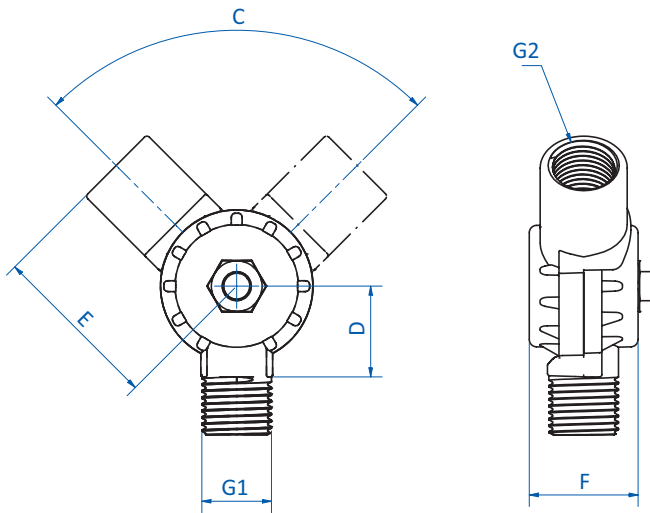
Technical data

Item no.	Connection thread	Weight [g]
GR03.302	G1/8	7
GR03.303	G1/4	15

Dimensions

G1	G2	C [°]	D [mm]	E [mm]	F [mm]
G1/8	G1/8	90	12.5	23.5	15
G1/4	G1/4	90	16	29	21

Dimensions



Application example

