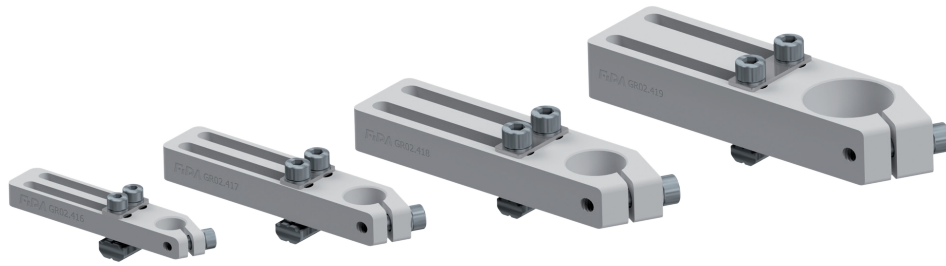




Extrusion systems | Connectors

Long angle clamps MLine / JLine – heavy duty

Long angle clamps MLine / JLine – heavy duty



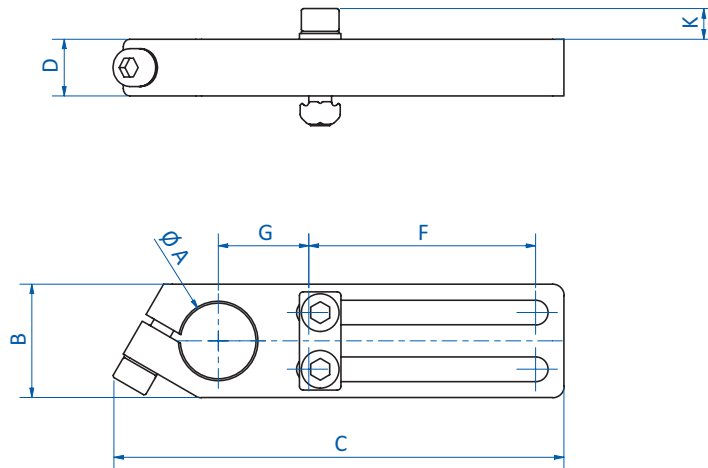
Product notes

- > Space-saving design
- > For heavy-duty applications

Technical data

| Item no. | Design | Clamping \varnothing [mm] | Suitable for extrusion system | Weight [g] |
|----------|------------------|-----------------------------|-------------------------------|------------|
| GR02.416 | Long, heavy duty | 10 | MLine / JLine | 27 |
| GR02.417 | Long, heavy duty | 14 | MLine / JLine | 53 |
| GR02.418 | Long, heavy duty | 20 | MLine / JLine | 115 |
| GR02.419 | Long, heavy duty | 30 | MLine / JLine | 177 |

Dimensions



| Item no. | $\varnothing A$ [mm] | B [mm] | C [mm] | D [mm] | F [mm] | G [mm] | K [mm] |
|----------|----------------------|--------|--------|--------|--------|--------|--------|
| GR02.416 | 10 | 16 | 79 | 8 | 40 | 16 | 6 |
| GR02.417 | 14 | 20 | 99 | 12 | 50 | 21 | 7.1 |
| GR02.418 | 20 | 30 | 119 | 15 | 60 | 24 | 8.1 |
| GR02.419 | 30 | 35 | 133 | 20 | 60 | 30 | 8.1 |