



Nipper technology | Air nippers – manual and automatic operation

Air nippers for manual operation

Air nippers for manual operation



AIR NIPPERS FOR PLASTIC AND METAL

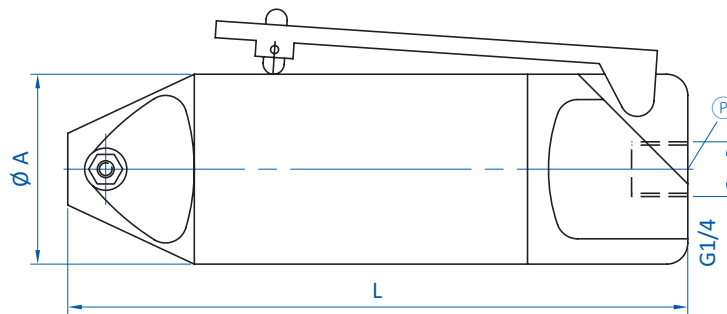
Product notes

- > Manually operated air nippers with safety lever
- > Round shaped body with knurling for safe grip
- > GT-N20, N30 and N50 come with stopcock to lock compressed air supply
- > Pressure booster to increase cutting force optionally available

Technical data

Item no.	Max. cutting force [N]	Air consumption [cm ³ /stroke]	Operating pressure [bar (psi)]	Height blade [mm]	Connection [G]	Weight [g]	Pressure amplifier	Dimensions	
								Ø A [mm]	L [mm]
GT-N3	294	45	4 - 5 (58 - 72.5)	7	G1/4	100	--	23	112
GT-N5	392	64	4 - 5 (58 - 72.5)	7	G1/4	140	--	30	103
GT-N7	490	116	4 - 5 (58 - 72.5)	9	G1/4	190	--	34	123
GT-N10	588	116	4 - 6 (58 - 87)	9	G1/4	200	P-10L	34	132
GT-N12	735	116	5 - 6 (72.5 - 87)	12	G1/4	220	P-10L	36	132
GT-N20	1,372	230	5 - 6 (72.5 - 87)	12	G1/4	430	P-20	45	156
GT-N30	2,744	584	5 - 6 (72.5 - 87)	17	G1/4	685	P-30	56	193
GT-N50	4,704	1,220	5 - 6 (72.5 - 87)	25.2	G1/4	1,220	P-50	75	237

Dimensions



Ⓟ = Compressed air connection