



Extrusion systems | Slot nuts

Threaded slot nuts – universal

Threaded slot nuts – universal



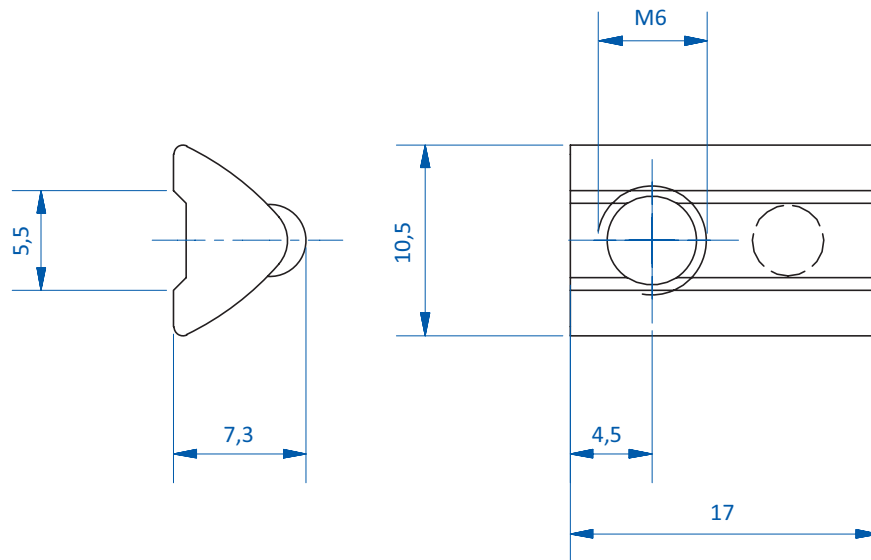
Product notes

- > Galvanized steel slot nuts
- > Ball catch prevents slipping of slot nut during installation
- > Compatible with many third-party extrusions

Technical data

Item no.	Suitable for extrusion system	With ball catch	Weight [g]
GR01.103	MLine	Yes	4
GR01.104	MLine	--	7
GR01.105	MLine	--	16

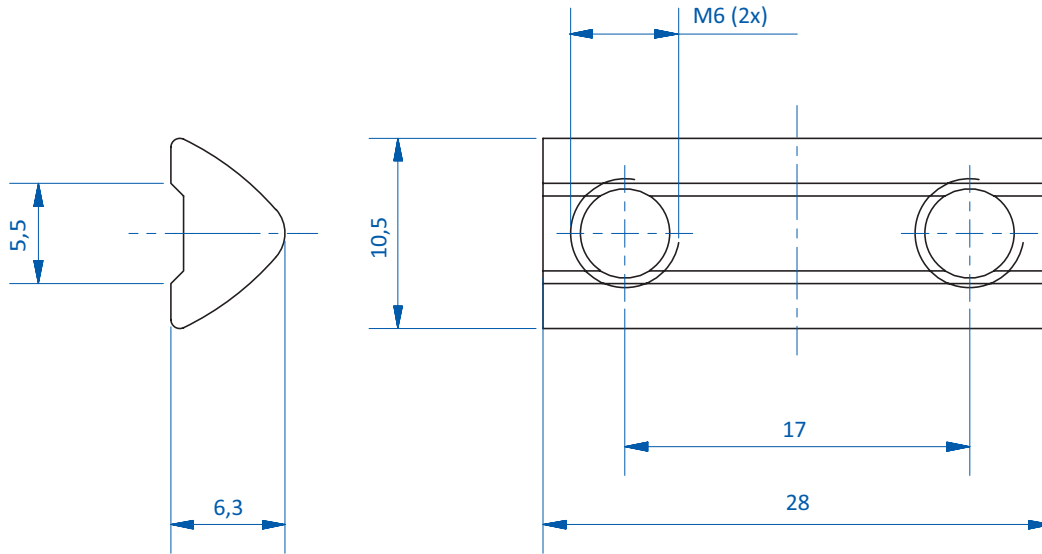
Dimensions



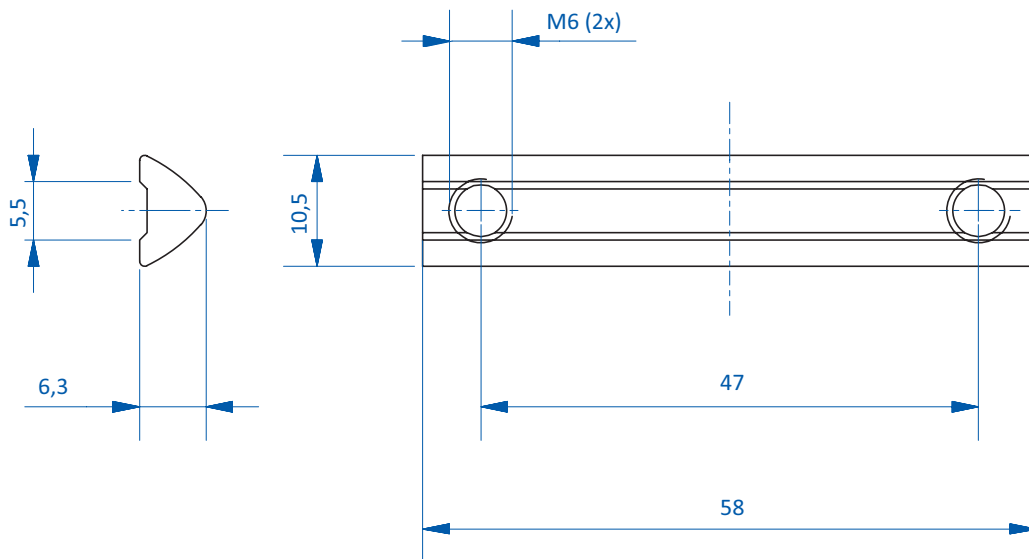
GR01.103



Dimensions



GR01.104



GR01.105