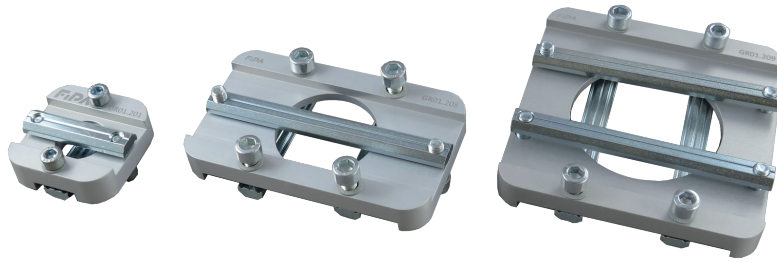




Cross joint connectors – standard



Product notes

- > Elements for 90° connection of two extrusions
- > Long groove for more rigid joints

Technical data

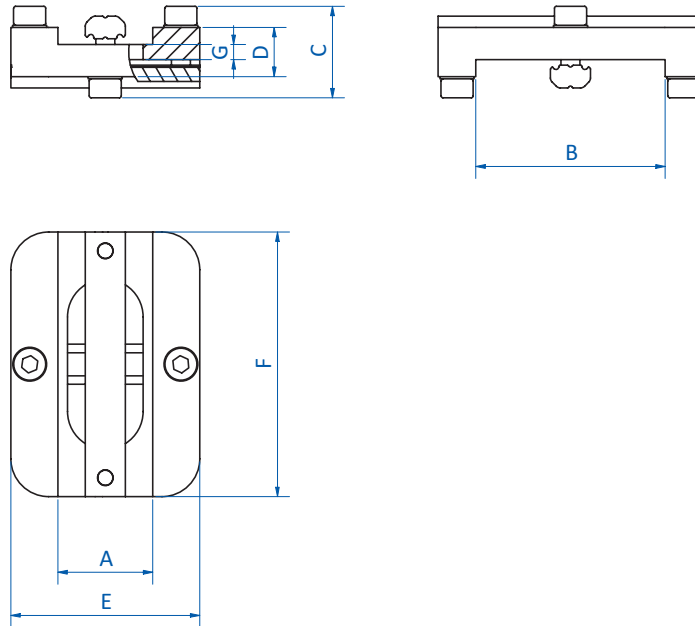
Item no.	Profile 1	Profile 2	Weight [g]
GR01.201	M25	L18	85
GR01.202	M25	M25	81
GR01.205	J40	M25	133
GR01.206	J40	J40	115
GR01.207	M25	J80	180
GR01.208	J40	J80	195
GR01.209	J80	J80	302
GR-XL01.020	X40	X40	218
GR-XL01.021	X40	X80	380
GR-XL01.022	X80	X80	630

Dimensions

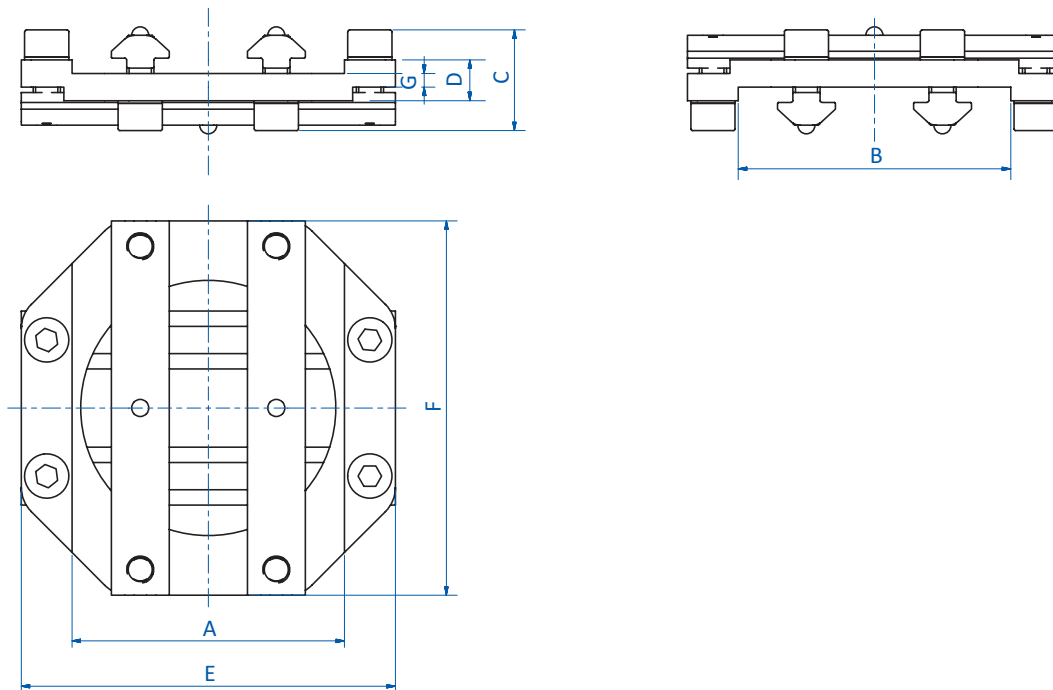
A [mm]	B [mm]	C [mm]	D [mm]	E [mm]	F [mm]	G [mm]
18	25	24	13	45	45	4
25	25	24	13	45	45	4
40	25	24	13	60	60	4
40	40	24	13	60	60	4
25	80	24	13	50	100	4
40	80	24	13	60	100	4
80	80	24	13	100	100	4
40	40	30	12	70	70	4
40	80	30	12	70	110	4
80	80	30	12	110	110	4



Dimensions



GR01.202 | GR01.205 | GR01.206 | GR01.207 | GR01.208 | GR01.209 | GR-XL01.020



GR-XL01.021 | GR-XL01.022