



### Flat connectors – straight



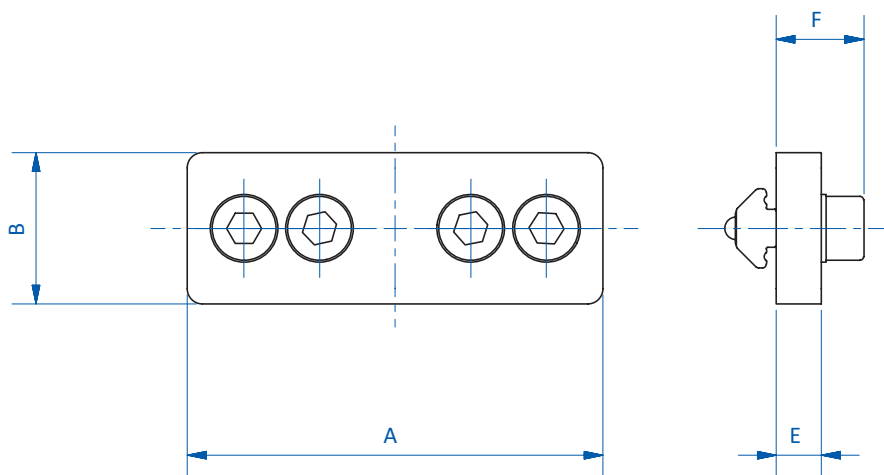
#### Product notes

> For rigid end-to-end connection of two profiles

#### Technical data

Item no.	Suitable for extrusion system	Weight [g]
GR01.054	SLine / MLine	16
GR01.055	SLine / MLine	50
GR01.056	SLine / MLine	64
GR-XL01.028	XLine	260

#### Dimensions



Item no.	A [mm]	B [mm]	E [mm]	F [mm]
GR01.054	55	20	3	9
GR01.055	75	20	3	9
GR01.056	100	20	3	9
GR-XL01.028	160	40	3	12