



### Flat connectors 45°



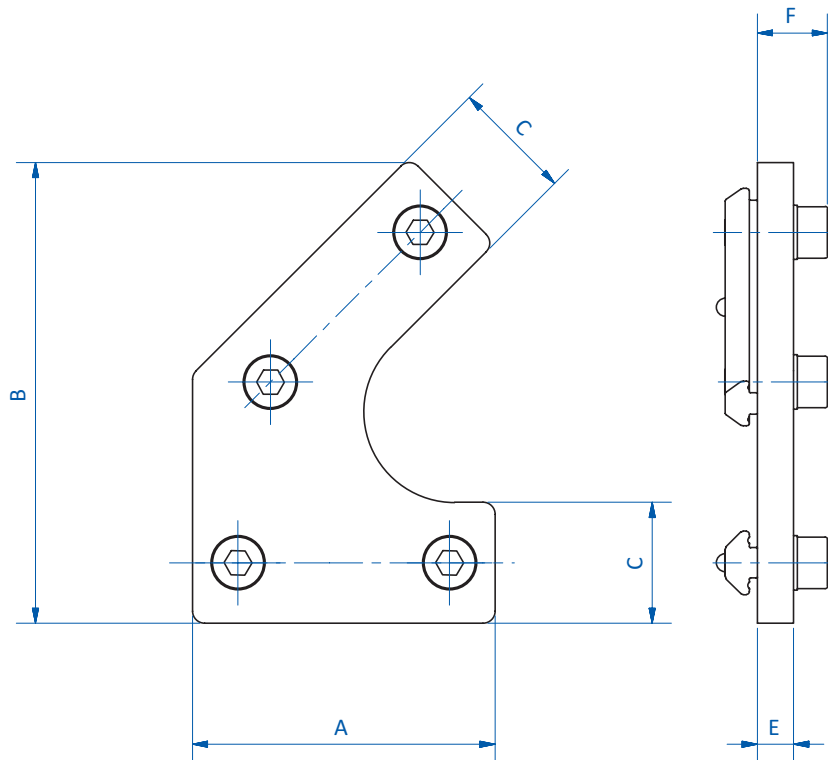
#### Product notes

> For rigid 45° connection of two profiles

#### Technical data

Item no.	Angle [°]	Suitable for extrusion system	Width profile 1 [mm]	Width profile 2 [mm]	Material	Weight [g]
GR01.065	45	SLine	20	20	Aluminum	74
GR01.066	45	MLine	25	25	Aluminum	79
GR01.067	45	JLine	40	40	Steel	173.2

#### Dimensions



Item no.	A [mm]	B [mm]	C [mm]	E [mm]	F [mm]
GR01.065	50	76	20	3	9
GR01.066	50	76	25	3	9
GR01.067	60	114.9	40	3	9.7