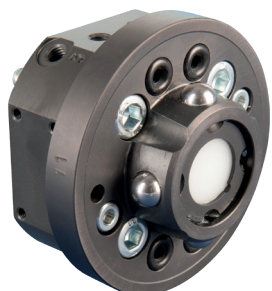




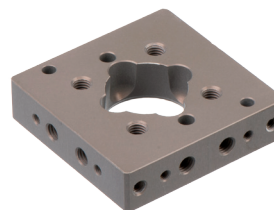
# Quick-change systems | ASR Series

Automatic quick-change systems

## Automatic quick-change systems



Robot side: ASR60-A



Gripper side: ASR48-B

### Product notes

- > Fast exchange of EOAT on robots via automatic compressed air disconnection, minimizes set-up time
- > Secure locking system with guide pins compensates positional deviations during coupling
- > Electronic connector for signal transmitting see accessories

### Technical data

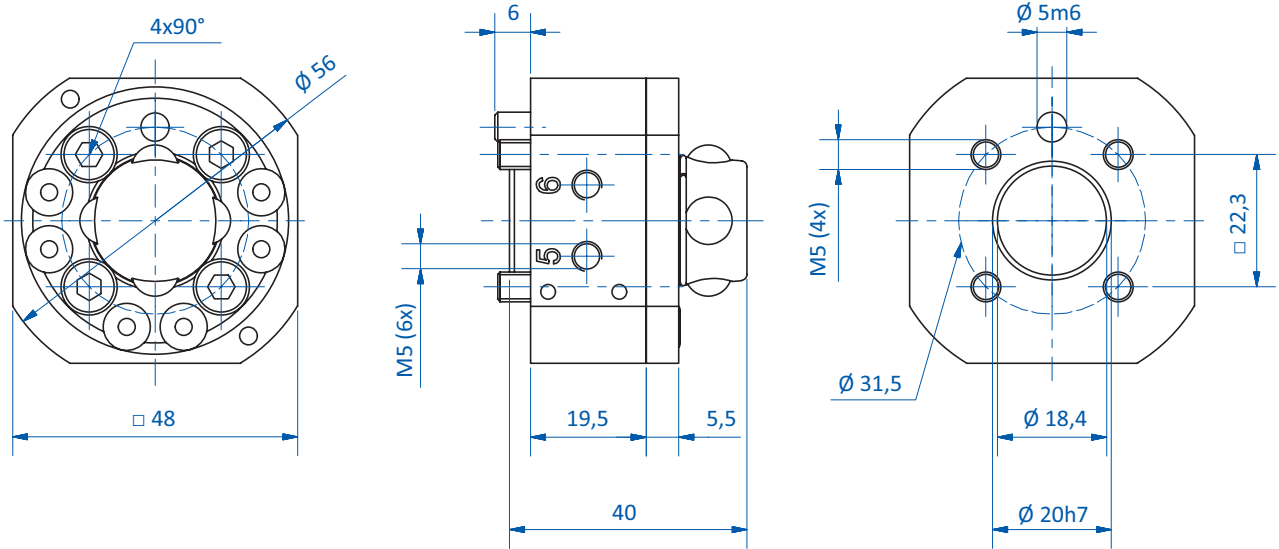
Item no.	ASR48-A	ASR48-B	ASR60-A	ASR60-B
Lifting force [N]	50	50	200	200
Number of pneumatic connections	6xM5	6xM5	4xM5	4xM5
Working pressure [bar (psi)]	0 - 10 (0 - 145)	0 - 10 (0 - 145)	0 - 10 (0 - 145)	0 - 10 (0 - 145)
Max. torque [Nm]	40	40	150	150
Max. bending moment [Nm]	40	40	158	158
Repeat accuracy [mm]	< 0.01	< 0.01	< 0.01	< 0.01
Operating pressure [bar (psi)]	6 - 10 (87 - 145)	6 - 10 (87 - 145)	6 - 10 (87 - 145)	6 - 10 (87 - 145)
Operating temperature [°C (°F)]	10 - 60 (50 - 140)	10 - 60 (50 - 140)	10 - 60 (50 - 140)	10 - 60 (50 - 140)
Weight [g]	200	50	400	110
Suitable plug connectors	ASR48-A-ME	ASR48-B-ME	ASR60-A-ME	ASR60-B-ME

### Application example

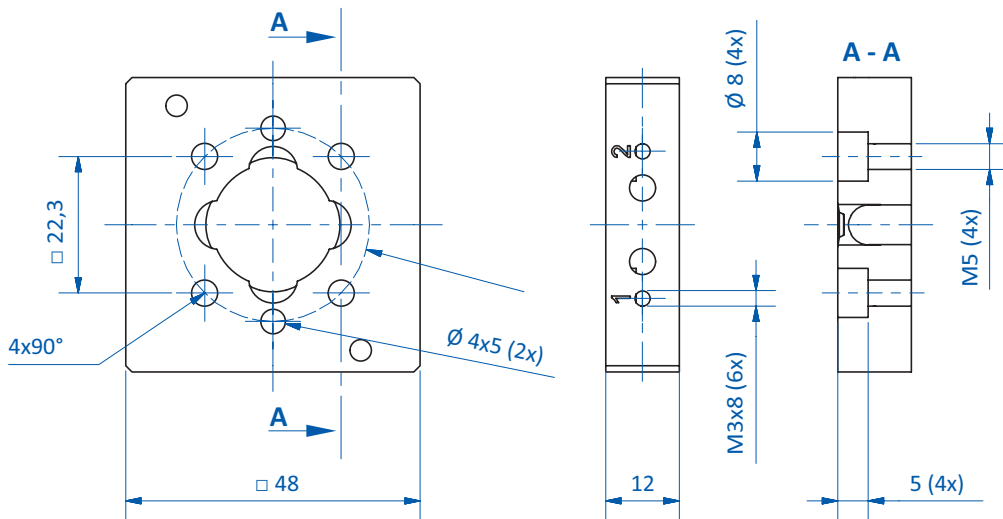




Dimensions



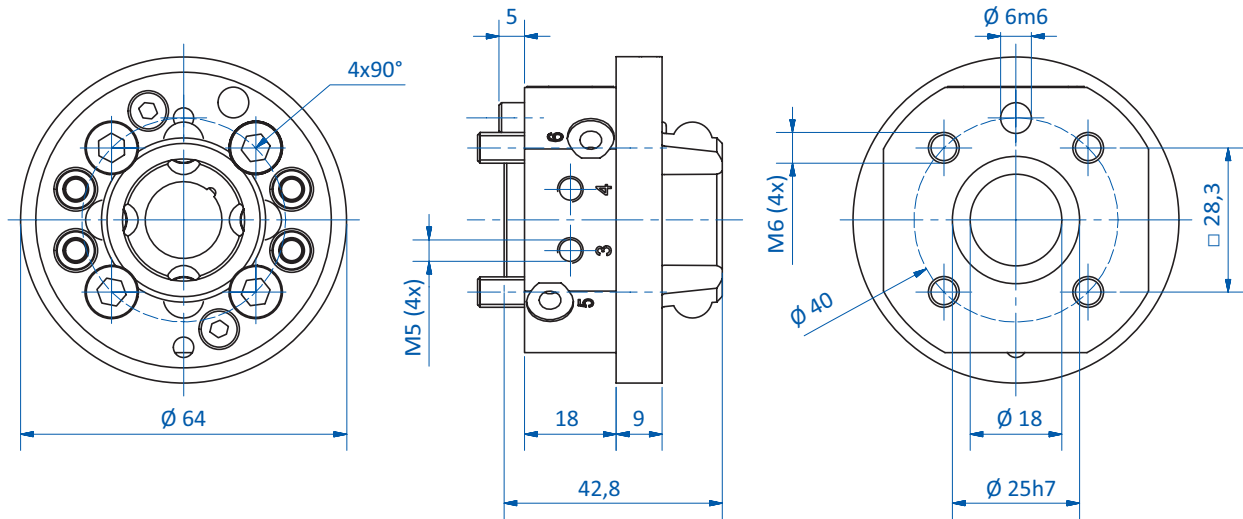
ASR48-A



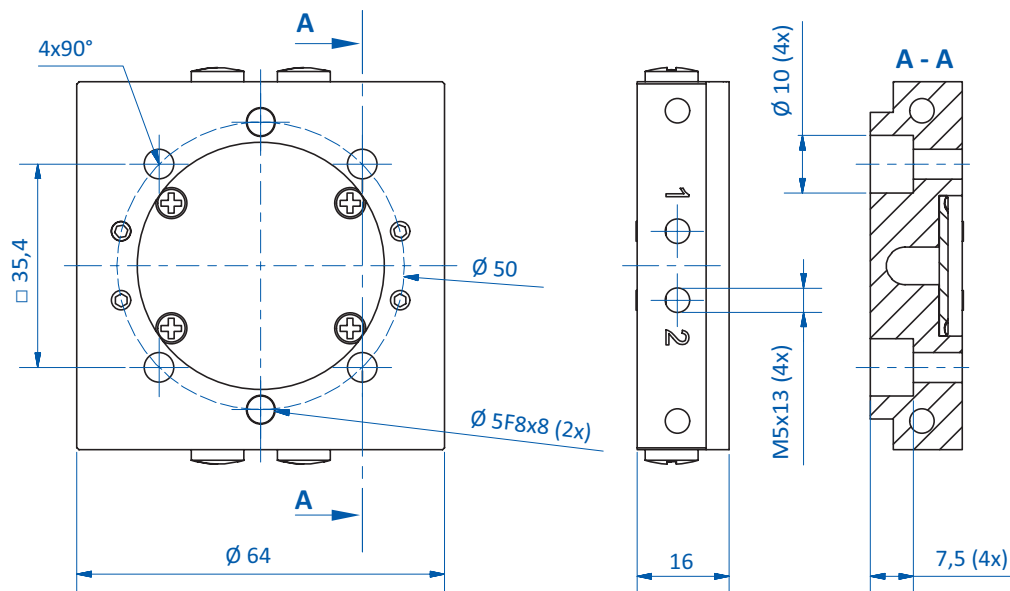
ASR48-B



## Dimensions



ASR60-A



ASR60-B