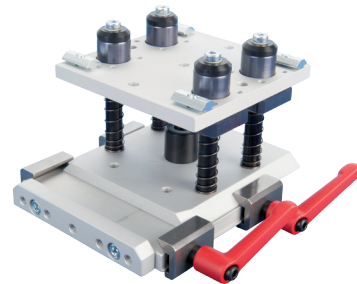




Quick-change systems | S Series

Gripper mounting plates – spring loaded

Gripper mounting plates – spring loaded



Gripper mounting plate with quick-change system GR05.021

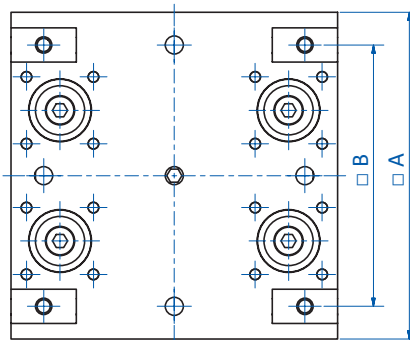
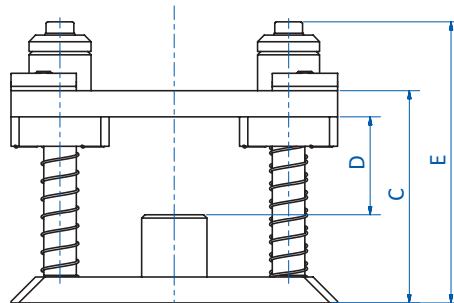
Product notes

- > Base plate for compensating ejection stroke of molding machine
- > High-quality slide bearings ensure accurate guidance
- > A second set of springs with higher spring rate included in scope of delivery
- > Slot nuts and mounting screws included in scope of delivery

Technical data

Item no.	Suitable for extrusion system	Industry standard code	Stroke [mm]	Spring stiffness (already built in) [N/mm]	Spring stiffness (alternatively) [N/mm]	Weight [g]	Suitable robot adapter plates
GR05.023	SLine	GR-1	30	0.143	0.349	690	GR05.021
GR05.024	SLine / MLine	GR-1	30	0.143	0.349	690	GR05.021

Dimensions



Item no.	A [mm]	B [mm]	C [mm]	D [mm]	E [mm]
GR05.023	100	80	65	30	86
GR05.024	110	85	65	30	86