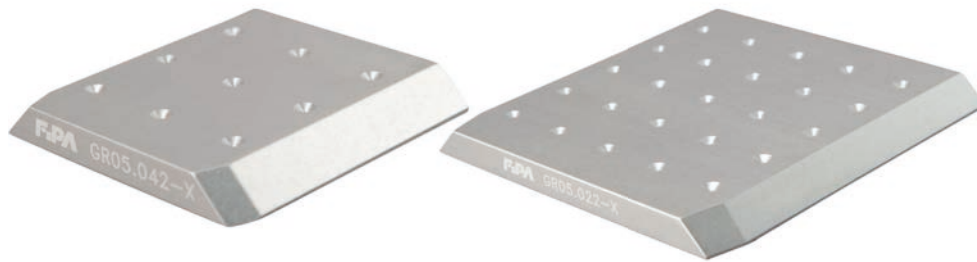




Gripper mounting plates for customisation



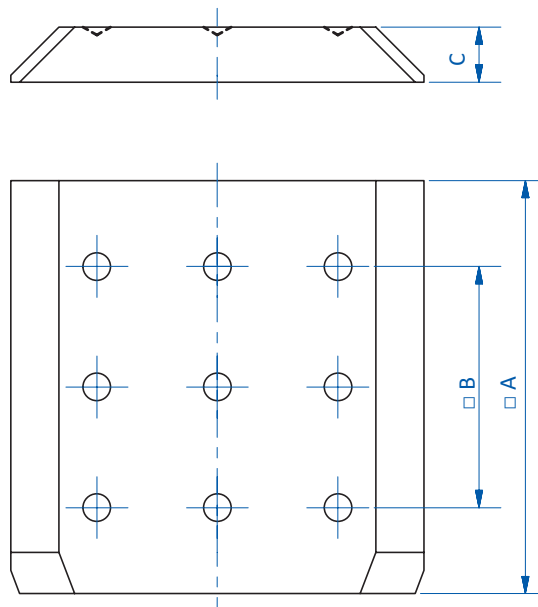
Product notes

- > Punch-marked for easy drilling

Technical data

Item no.	Industry standard code	Length [mm]	Weight [g]	Suitable robot adapter plates
GR05.042-X	GR-0	60	84	GR05.041
GR05.022-X	GR-1	100	208	GR05.021
GR05.032-X	GR-2	160	635	GR05.031
GR05.052-X	GR-3	250	1,650	GR05.051

Dimensions



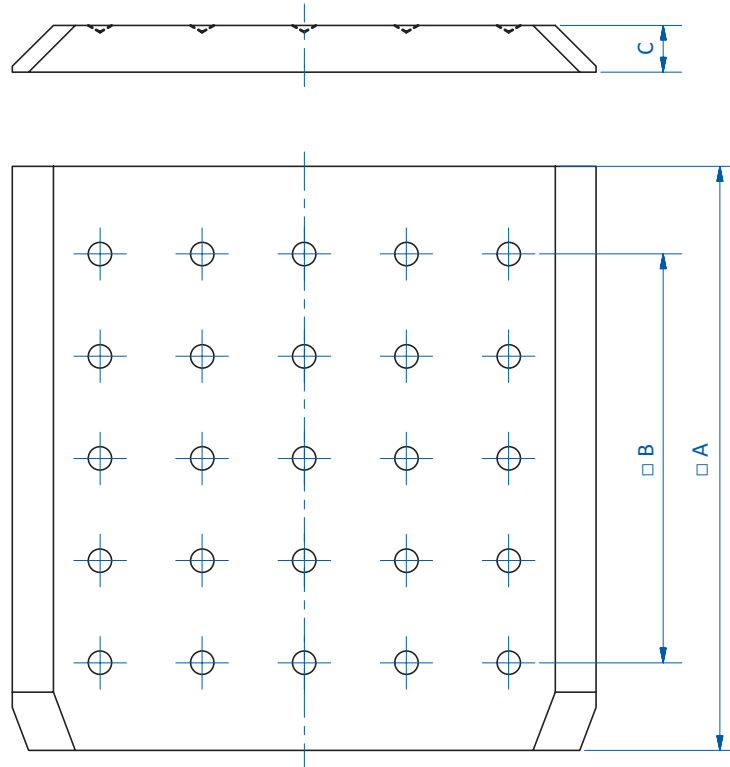
GR05.042-X



Quick-change systems | S Series

Gripper mounting plates for customisation

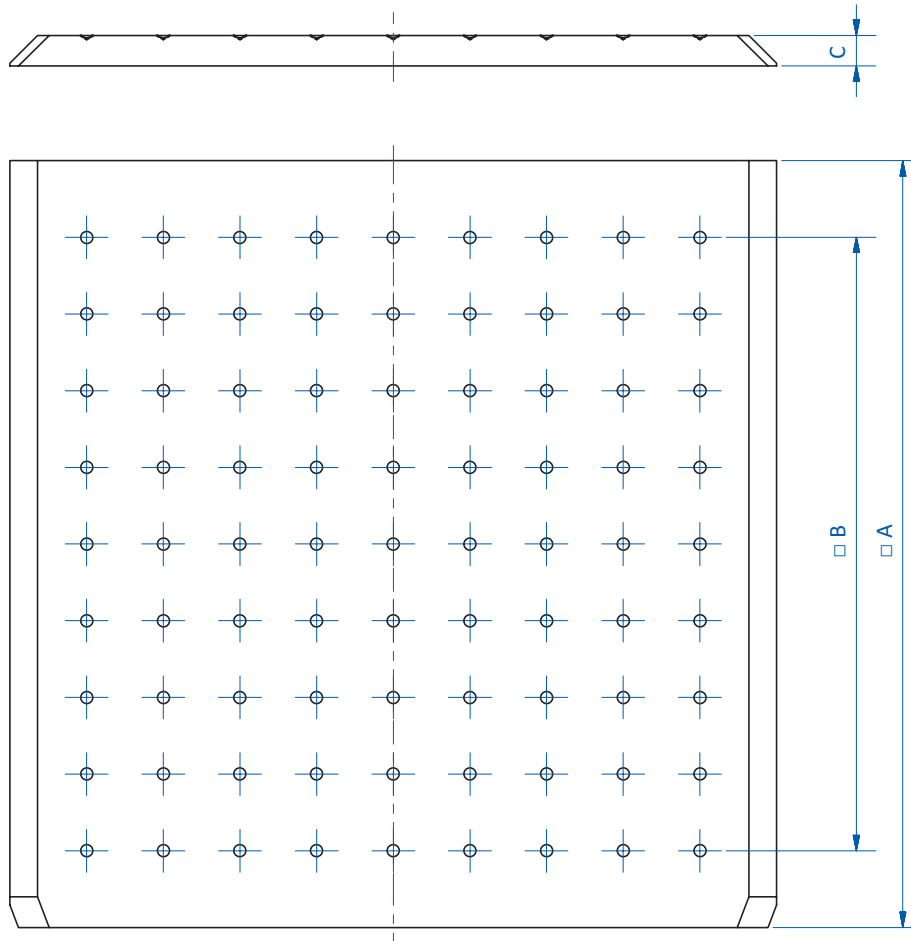
Dimensions



GR05.022-X | GR05.032-X



Dimensions



GR05.052-X

Item no.	□ A [mm]	□ B [mm]	C [mm]
GR05.042-X	60	35	8
GR05.022-X	100	70	8
GR05.032-X	160	120	10
GR05.052-X	250	200	10