



Gripper mounting plates



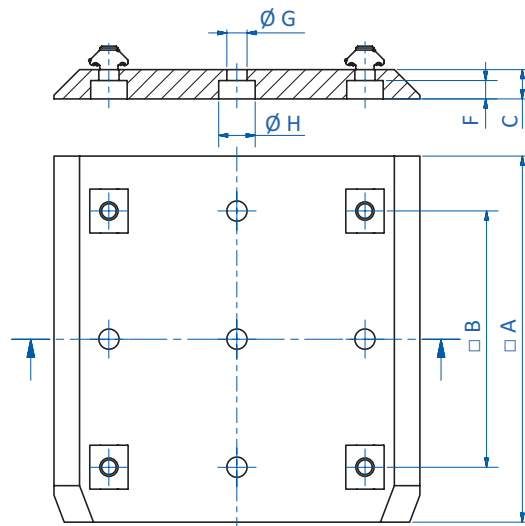
Product notes

> Mounting plate for profile based grippers

Technical data

Item no.	Industry standard code	Suitable for extrusion system	Length [mm]	Weight [g]	Suitable robot adapter plates
GR05.042	GR-0	SLine / MLine / JLine (Universal)	60	84	GR05.041
GR05.022	GR-1	SLine / MLine / JLine (Universal)	100	230	GR05.021
GR05.032	GR-2	SLine	160	635	GR05.031
GR05.052	GR-3	SLine	250	1,650	GR05.051
GR05.063	GR-2	MLine / JLine	160	690	GR05.031
GR05.070	GR-3	MLine / JLine	250	1,670	GR05.051
GR-XL05.032	GR-2	XLine	160	752	GR05.031
GR-XL05.052	GR-3	XLine	250	1,784	GR05.051

Dimensions





# Quick-change systems | S Series

## Gripper mounting plates

Item no.	□ A [mm]	□ B [mm]	C [mm]	F [mm]	∅ G [mm]	∅ H [mm]
<b>GR05.042</b>	60	35	8	5	5.5	10
<b>GR05.022</b>	100	70	8	5	5.5	10
<b>GR05.032</b>	160	120	10	4.5	5.5	10
<b>GR05.052</b>	250	200	10	7	5.5	10
<b>GR05.063</b>	160	120	10	4.9	6.4	11
<b>GR05.070</b>	250	200	10	4.9	6.4	11
<b>GR-XL05.032</b>	160	120	10	6.5	8.5	14
<b>GR-XL05.052</b>	250	200	10	6.5	8.5	14