



Needle grippers GR04.740B



Product notes

- > Slim design due to internal stroke guiding
- > Gripper for materials that are non-dimensionally stable or difficult to handle with vacuum
- > Alignment to material thickness via adjustable stroke
- > Double-acting, enables short duty cycles, separate compressed air connections for extraction/retraction of needles
- > Internal stroke guiding for extra slim design
- > Sensor for monitoring gripper action via piston position (needles extracted/retracted)
- > Stroke corresponds to maximum entry depth of needles
- > Sensors and spare needle sets with ten needles each, available as accessories
- > PNP and NPN sensors:
 - C-nut (cable: 90°): GR04.202P, GR04.202N
 - C-nut (cable: straight, short design): GR04.280P, GR04.280N

Technical data

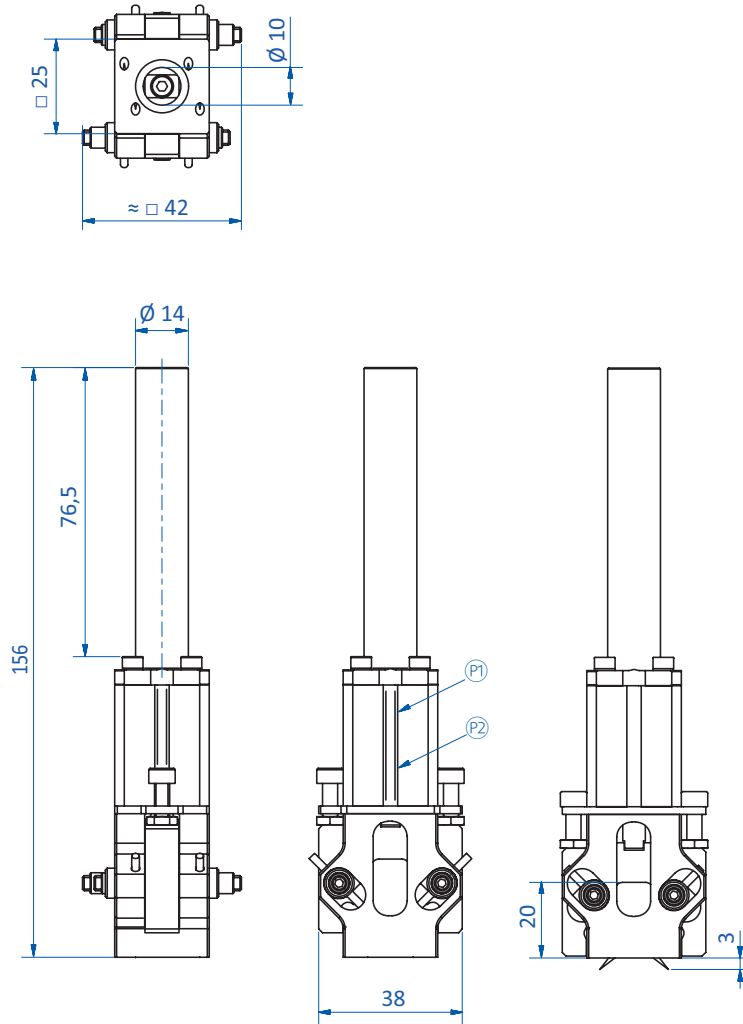
Item no.	GR04.740B
Principle of operation	Double-acting
Stroke [mm]	0 - 3
Number of needles [Pcs.]	4
Needle diameter [mm]	2
Infeed angle [°]	45
Operating pressure [bar (psi)]	2 - 8 (29 - 116)
Operating temperature [°C (°F)]	-10 - 80 (14 - 176)
Weight [g]	226
Accessories	Spare needle kit: GR04.740B-30N Sensor: GR04.280N Sensor: GR04.280P Sensor: GR04.202N Sensor: GR04.202P



Grippers | Needle grippers

Needle grippers GR04.740B

Dimensions



Ⓟ = Compressed air connection M5 needles extended Ⓠ = Compressed air connection M5 needles retracted