



Needle grippers GR04.725

ESPECIALLY SUITED FOR HANDLING HEAVIER WORKPIECES



Product notes

- > Grippers for materials that are non-dimensionally stable or difficult to handle with vacuum
- > Double-acting enables short duty cycles: separate compressed air connections for extraction/retraction of needles
- > Spare needle plates, available

Technical data

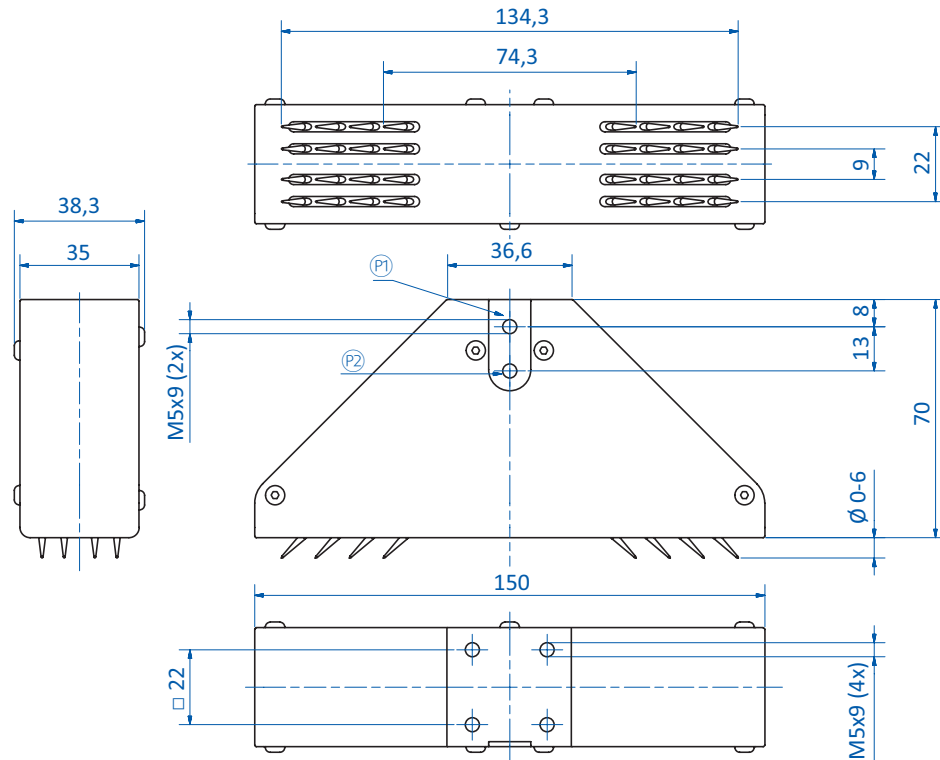
Item no.	GR04.725-60	GR04.725-60V	GR04.725-90	GR04.725-90V	GR04.725-200
Principle of operation	double-acting	double-acting	double-acting	double-acting	double-acting
Stroke [mm]	6	6	9	9	20
Needle stroke adjustable	no	yes	no	yes	no
Number of needles [Pcs.]	32	32	32	32	32
Needle diameter [mm]	2	2	2	2	2
Infeed angle [°]	45	45	45	45	45
Max. gripping force [N]	360	360	360	360	360
Operating pressure [bar (psi)]	2 - 8 (29 - 116)	2 - 8 (29 - 116)	2 - 8 (29 - 116)	2 - 8 (29 - 116)	2 - 8 (29 - 116)
Operating temperature [°C (°F)]	0 - 70 (32 - 158)	0 - 70 (32 - 158)	0 - 70 (32 - 158)	0 - 70 (32 - 158)	0 - 70 (32 - 158)
Weight [g]	450	450	480	480	1,750
Accessories	Spare needle kit: GR04.725-60N Mounting bracket: GR07.041	Spare needle kit: GR04.725-60N Mounting bracket: GR07.041	Spare needle kit: GR04.725-90N Mounting bracket: GR07.041	Spare needle kit: GR04.725-90N Mounting bracket: GR07.041	Spare needle kit: GR04.725-200N Mounting bracket: GR07.041



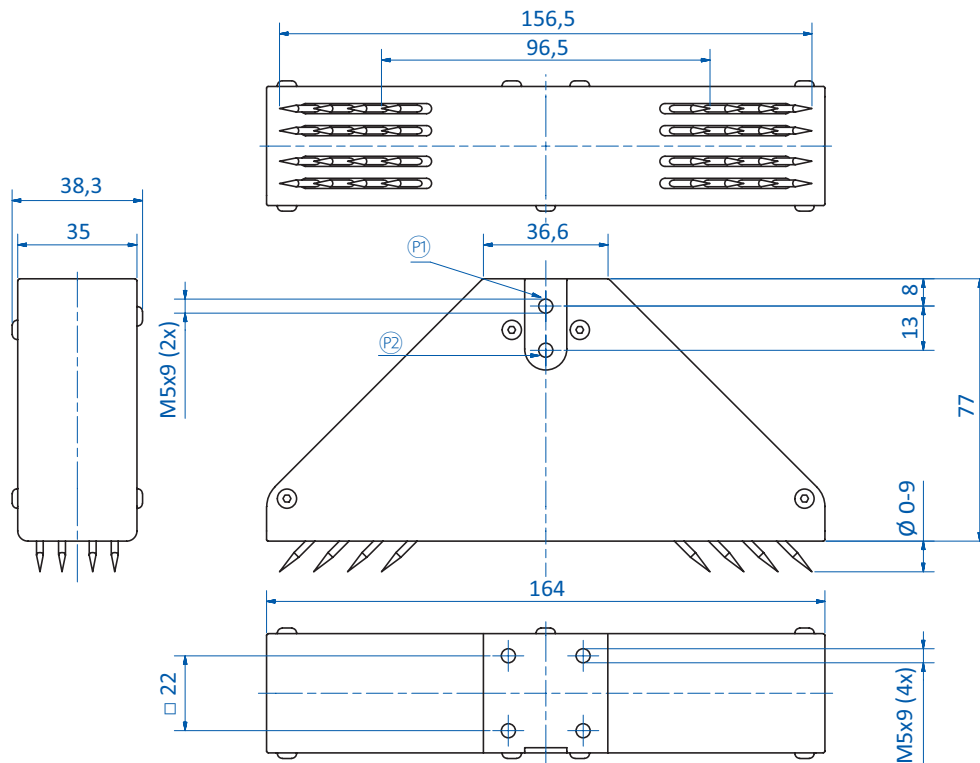
Grippers | Needle grippers

Needle grippers GR04.725

Dimensions



GR04.725-60 | GR04.725-60V

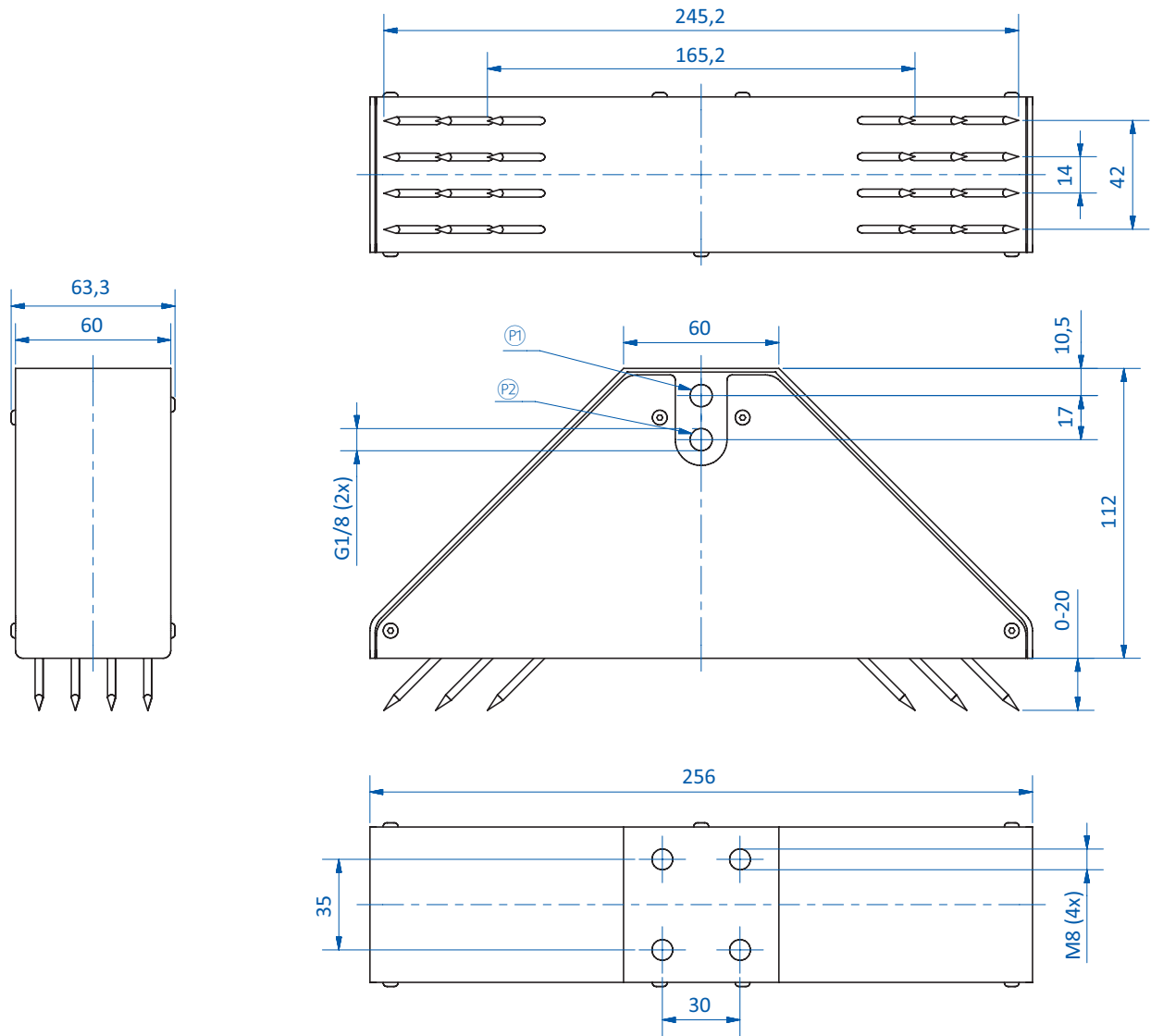


GR04.725-90 | GR04.725-90V

Ⓟ = Compressed air connection M5 needles extended Ⓠ = Compressed air connection M5 needles retracted



Dimensions



GR04.725-200

Ⓟ = Compressed air connection M5 needles extended Ⓠ = Compressed air connection M5 needles retracted