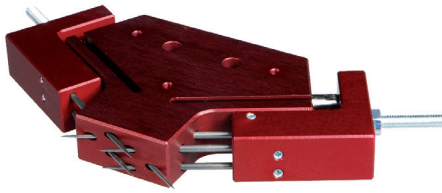




Needle grippers GR04.715



Product notes

- > Grippers for workpieces or materials that are non-dimensionally stable or difficult to handle with vacuum
- > Narrow design
- > Stroke can be adjusted to material thickness
- > Double-acting enables short duty cycles: separate compressed air connections for extraction/retraction of needles on the face-side
- > Needles can be individually replaced
- > Spare needle sets, each containing ten pieces available

Technical data

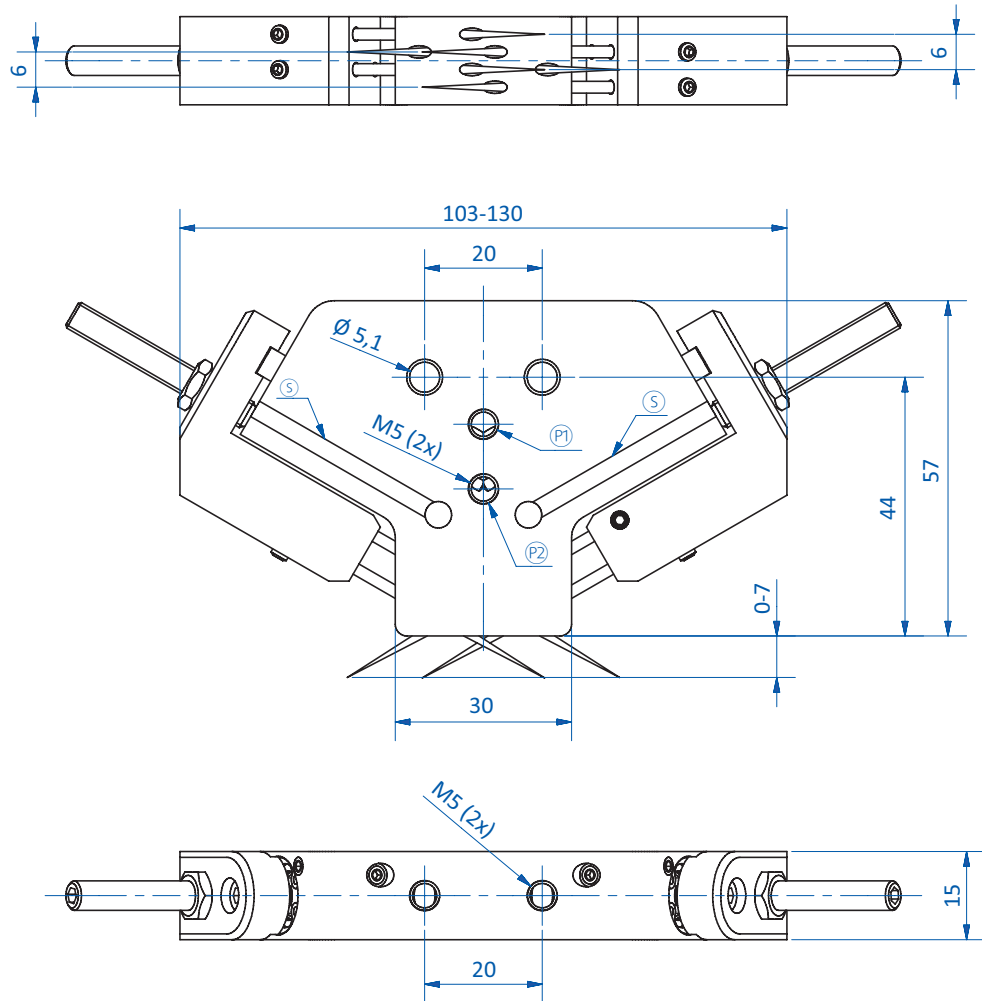
Item no.	GR04.715-70
Principle of operation	double-acting
Stroke [mm]	0 - 7
Number of needles [Pcs.]	6
Needle diameter [mm]	2
Infeed angle [°]	30
Operating pressure [bar (psi)]	2 - 8 (29 - 116)
Operating temperature [°C (°F)]	-10 - 80 (14 - 176)
Weight [g]	195
Accessories	Spare needle kit: GR04.715-70N Mounting bracket: GR07.042 Sensor: GR04.198 Sensor: GR04.198/NPN Sensor: GR04.202P Sensor: GR04.202N Sensor: GR04.280P Sensor: GR04.280N Sensor: GS04.005 Sensor: GS04.006



Grippers | Needle grippers

Needle grippers GR04.715

Dimensions



Ⓟ = Bore holes M5 for central extraction of needles Ⓠ = Bore hole M5 for central retraction of needles Ⓢ = Sensor slot