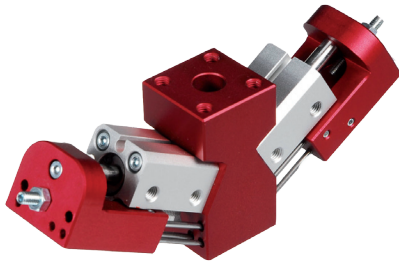
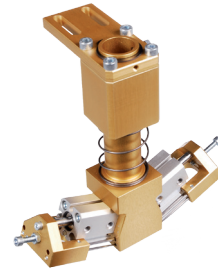




Needle grippers GR04.710 and GR04.720



GR04.710



GR04.720 with spring load

Product notes

- > Strokes adjustable to material thickness
- > Grippers for materials that are non-dimensionally stable or difficult to handle with vacuum
- > Central bore hole (Ø 10 mm) to allow insertion of gripper into stack rails for pick & place
- > Stroke limitation adjustable to material thickness
- > Needles centrally crossed for firm grip
- > Double-acting enables short duty cycles: separate compressed air connections for extraction/retraction of needles
- > Needles can be individually replaced
- > Spare needle sets, each containing ten pieces available

Technical data

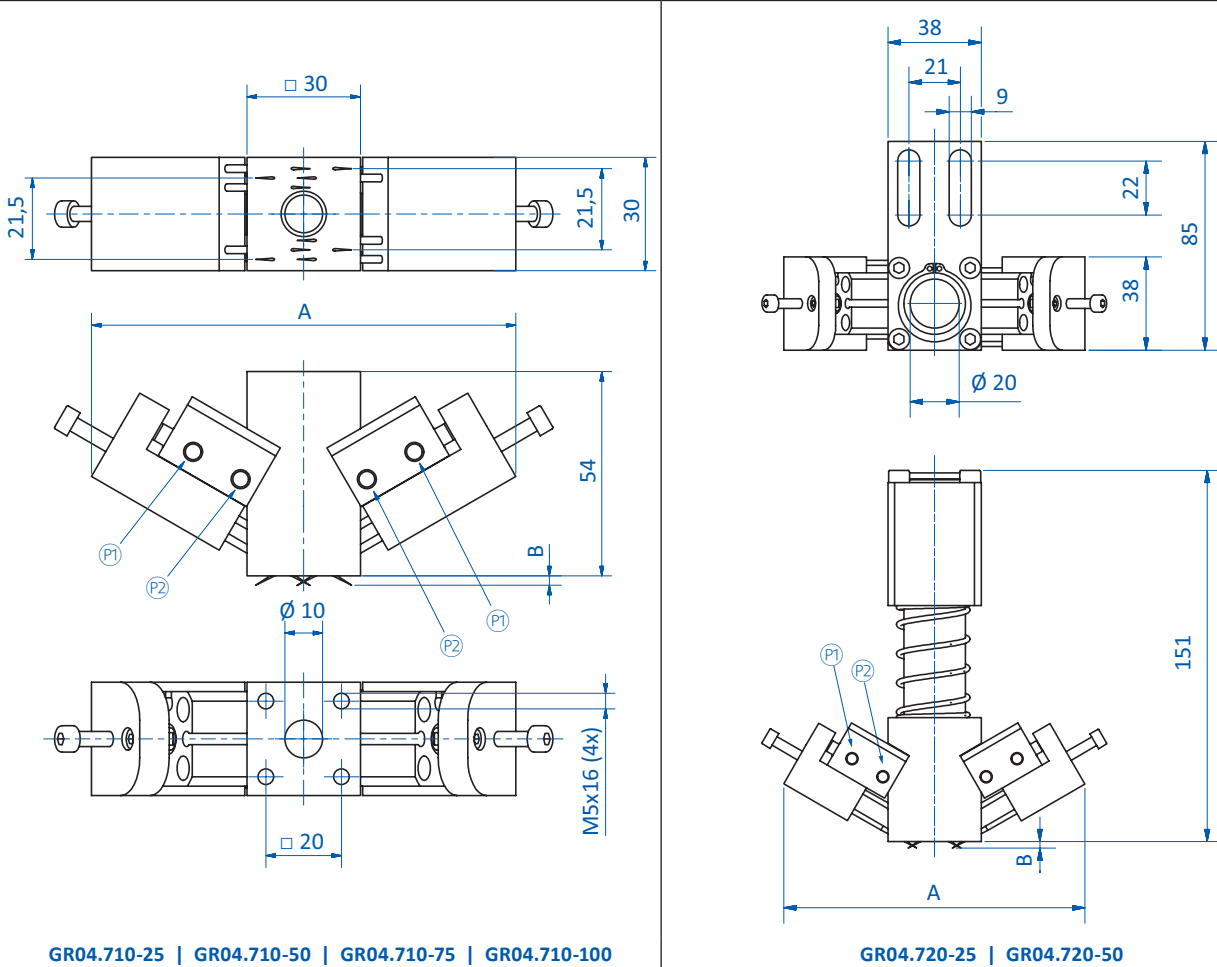
Item no.	GR04.710-25	GR04.710-50	GR04.710-75	GR04.710-100	GR04.720-25	GR04.720-50
Principle of operation	double-acting	double-acting	double-acting	double-acting	double-acting	double-acting
Stroke [mm]	0 - 2.5	0 - 5	0 - 7.5	0 - 10	0 - 2.5	0 - 5
Stroke suspensions [mm]	--	--	--	--	35	35
Number of needles [Pcs.]	10	10	10	10	10	10
Needle diameter [mm]	2	2	2	2	2	2
Infeed angle [°]	30	30	30	30	30	30
Operating pressure [bar (psi)]	2 - 8 (29 - 116)	2 - 8 (29 - 116)	2 - 8 (29 - 116)	2 - 8 (29 - 116)	2 - 8 (29 - 116)	2 - 8 (29 - 116)
Operating temperature [°C (°F)]	-10 - 80 (14 - 176)	-10 - 80 (14 - 176)	-10 - 80 (14 - 176)	-10 - 80 (14 - 176)	-10 - 80 (14 - 176)	-10 - 80 (14 - 176)
Weight [g]	240	298	310	340	492	512
Accessories	Spare needle kit: GR04.710-50N Mounting bracket: GR07.040	Spare needle kit: GR04.710-50N Mounting bracket: GR07.040	Spare needle kit: GR04.710-75AN Spare needle kit: GR04.710-75N Mounting bracket: GR07.040	Spare needle kit: GR04.710-75AN Spare needle kit: GR04.710-75N Mounting bracket: GR07.040	Spare needle kit: GR04.720-25N	Spare needle kit: GR04.720-25N



Grippers | Needle grippers

Needle grippers GR04.710 and GR04.720

Dimensions



Ⓟ = Compressed air connection M5 needles extended Ⓠ = Compressed air connection M5 needles retracted

Item no.	GR04.710-25	GR04.710-50	GR04.710-75	GR04.710-100	GR04.720-25	GR04.720-50
A [mm]	111.5 - 123	120 - 138	128 - 154	138.5 - 173	123 - 131.5	131.5 - 149
B [mm]	0 - 2.7	0 - 5	0 - 7.5	0 - 10	0 - 2.5	0 - 5