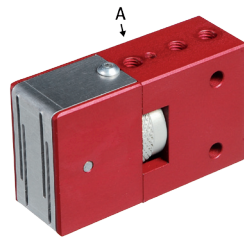




Needle grippers GR04.700 and GR04.730



GR04.700



GR04.730

**Product notes**

- > Small needle diameter for low entry depth, blow-off function for fast product release
- > Grippers with flat entry angle enables handling of thin or flat parts
- > Knurled screw for stroke adjustment to textile thickness
- > GR04.700: double-acting enables short duty cycles: separate compressed air connections for extraction/retraction of needles
  - Additional compressed air inlet (A) for fast product release
- > GR04.730: single-acting, compressed air connection for needle extraction, reset via return spring
- > Stroke corresponds to maximum entry depth of needles
- > Spare needle plates available as accessories

**Technical data**

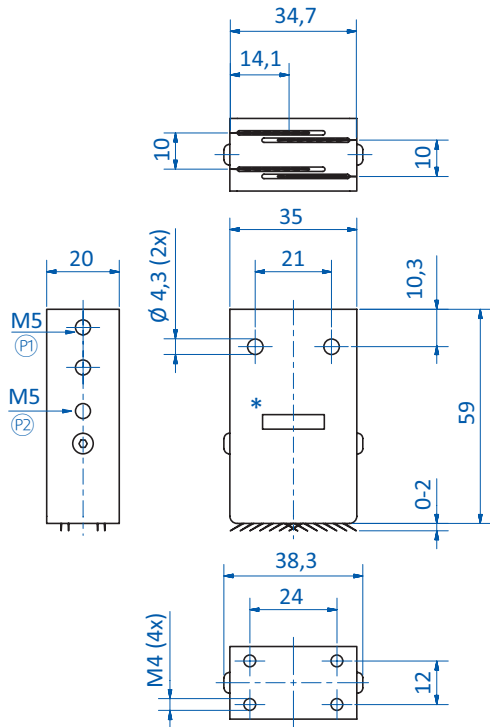
Item no.	GR04.700-20	GR04.700-25	GR04.730-20
Principle of operation	double-acting	double-acting	single-acting
Stroke [mm]	0 - 2	0 - 2.5	0 - 2
Number of needles [Pcs.]	32	32	32
Needle diameter [mm]	0.7	0.7	0.7
Infeed angle [°]	30	30	30
Operating pressure [bar (psi)]	4 - 7 (58 - 101.5)	4 - 7 (58 - 101.5)	4 - 7 (58 - 101.5)
Operating temperature [°C (°F)]	-0 - 70 (32 - 158)	-0 - 70 (32 - 158)	-0 - 70 (32 - 158)
Weight [g]	114	114	250
Accessories	Spare needle kit: GR04.700-20N Mounting bracket: GR07.040	Spare needle kit: GR04.700-25N Mounting bracket: GR07.040	Spare needle kit: GR04.730-20N Mounting bracket: GR07.041



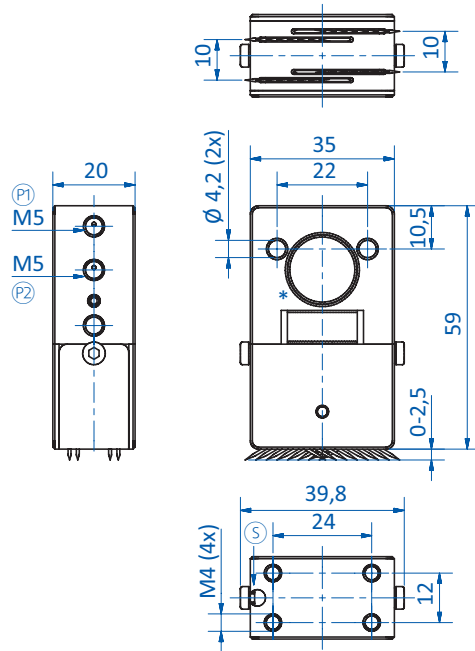
# Grippers | Needle grippers

Needle grippers GR04.700 and GR04.730

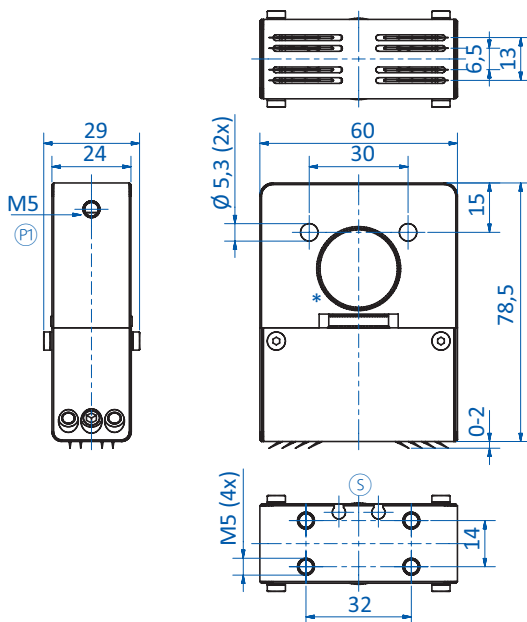
## Dimensions



GR04.700-20



GR04.700-25



GR04.730-20

\* = Stroke adjustment with knurled screw (P1) = Compressed air connection M5 needles extended  
 (P2) = Compressed air connection M5 needles retracted (S) = Sensor slot