



2-finger angular gripper 180° – self-centering



Product notes

- > High gripping force with high gripping precision
- > Gripping of objects located behind large undercuts; clamping and assembly of parts
- > Suitable for dusty environments due to dust protection seals
- > Double-acting, short duty cycles
- > Body made of high-strength aluminum alloy, jaws are steel
- > Versatile use with customized gripper jaws
- > Optional parts monitoring by detection of piston position
- > Medium: filtered and oiled/unoiled air

- > PNP and NPN sensors:
 - C-slot (90° angle): GR04.202P, GR04.202N
 - C-slot (straight, short design): GR04.280P, GR04.280N
- > Extension cable for sensors:
 - 20.503: 3-pole M8, length 2,500 mm, open wire
 - 20.570: 3-pole M8, length 1,500 mm, end with plug 3-pole M8

Technical data

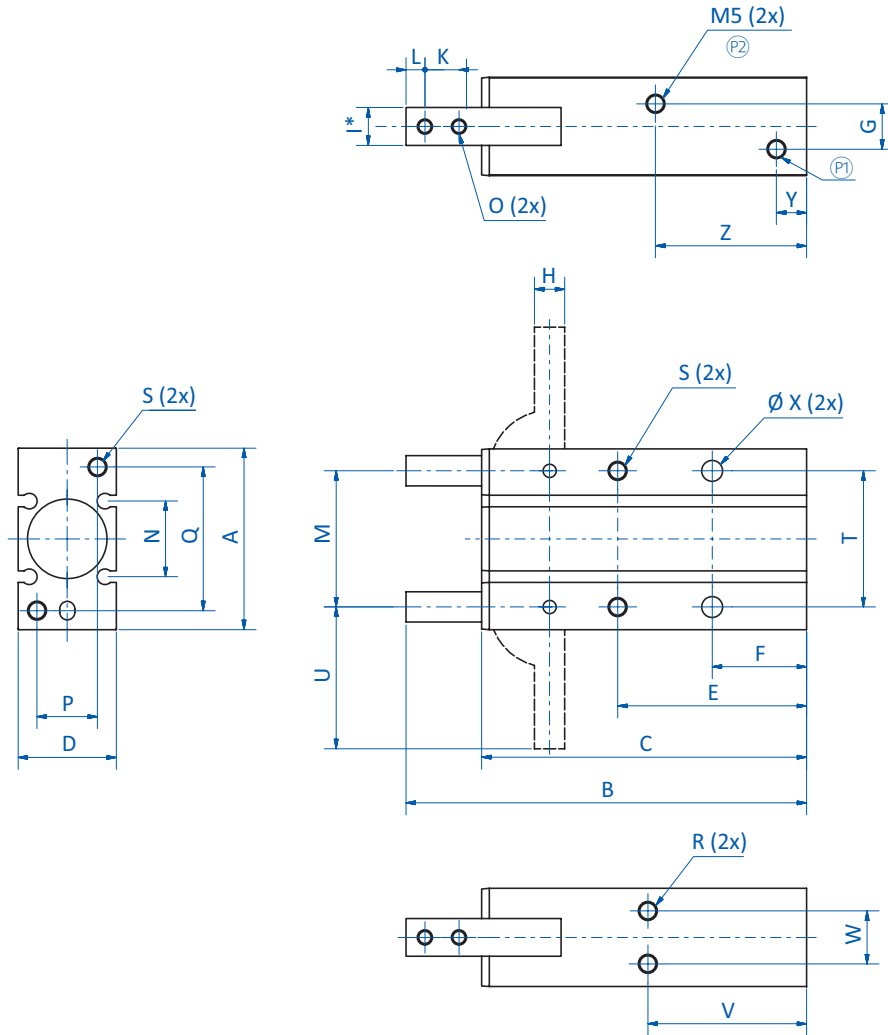
Item no.	GR04.121-10	GR04.121-16	GR04.121-20	GR04.121-25
Pressure range [bar (psi)]	1 - 6 (14.5 - 87)	1 - 6 (14.5 - 87)	1 - 6 (14.5 - 87)	1 - 6 (14.5 - 87)
Effective gripping torque [Nm]	0.16	0.54	1.1	2.28
Piston diameter [mm]	10	16	20	25
Angle stroke open [°]	180 - 182	180 - 182	180 - 182	180 - 182
Angle stroke closed [°]	-3	-3	-3	-3
Repeat accuracy [mm]	+/- 0.2	+/- 0.2	+/- 0.2	+/- 0.2
Max. operating frequency [1/min]	60	60	60	60
Operating temperature [°C (°F)]	-10 - 60 (14 - 140)	-10 - 60 (14 - 140)	-10 - 60 (14 - 140)	-10 - 60 (14 - 140)
Weight [g]	80	150	320	600
Accessories	Sensor: GR04.202N Sensor: GR04.202P Sensor: GR04.280N Sensor: GR04.280P Connector cable: 20.503 Connector cable: 20.570	Sensor: GR04.202N Sensor: GR04.202P Sensor: GR04.280N Sensor: GR04.280P Connector cable: 20.503 Connector cable: 20.570	Sensor: GR04.202N Sensor: GR04.202P Sensor: GR04.280N Sensor: GR04.280P Connector cable: 20.503 Connector cable: 20.570	Sensor: GR04.202N Sensor: GR04.202P Sensor: GR04.280N Sensor: GR04.280P Connector cable: 20.503 Connector cable: 20.570



Grippers | Angular grippers

2-finger angular gripper 180° – self-centering

Dimensions



* = Tolerance: -0.005 mm to -0.025 mm (P) = Compressed air supply (open) (P2) = Compressed air supply (close)

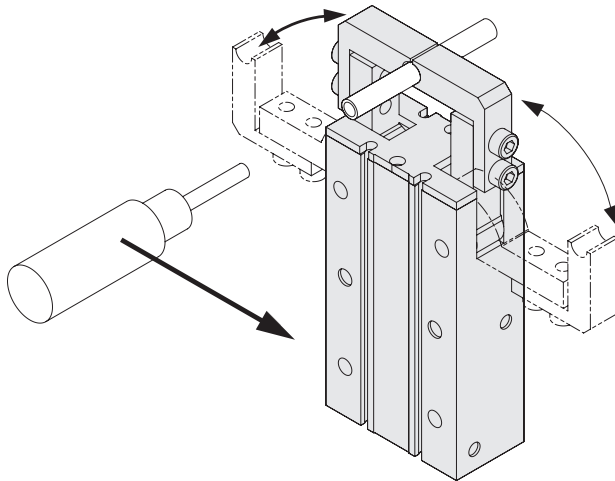
Item no.	GR04.121-10	GR04.121-16	GR04.121-20	GR04.121-25
A [mm]	30	38	48	58
B [mm]	71	84	106	131
C [mm]	58	69	86	107
D [mm]	15	20	26	30
E [mm]	35	41	50	60
F [mm]	18	20	25	30
G [mm]	3	8	12	14
H [mm]	4	5	8	10
I [mm]	6	8	10	12
K [mm]	6	7	9	12
L [mm]	3	4	5	6
M [mm]	22	28	36	45
N [mm]	13	18	20	24
O	M3	M3	M4	M5
P [mm]	9	12	16	18
Q [mm]	24	30	38	46



Item no.	GR04.121-10	GR04.121-16	GR04.121-20	GR04.121-25
R	M3x4	M4x5	M5x8	M6x10
S	M3x6	M4x8	M5x10	M6x12
T [mm]	24	30	36	42
U [mm]	23.5	28.5	37	45
V [mm]	30	33	42	50
W [mm]	9	12	14	16
Ø X [mm]	3.4	4.5	5.5	6.6
Y [mm]	7	7	8	8
Z [mm]	30	32	40	50

Application examples

> Clamping



> Assembly

