



Grippers | Gripper finger accessories

Stop elements for gripper fingers

Stop elements for gripper fingers



GR04.046 and GR04.042



GR04.042-SE-HNBR and GR04.042-H with HNBR pad

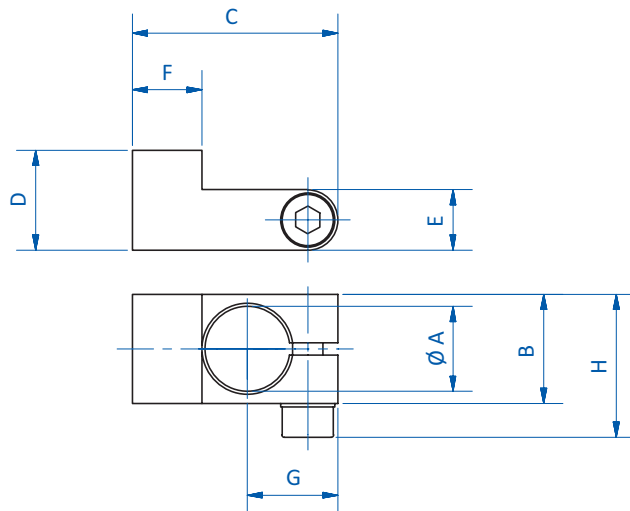
Product notes

- > Made of POM
- > Can be used in conjunction with guide elements
- > GR04.034-H, GR04.044-H and GR04.042-H: with HNBR pads for gentle gripping of sensitive components, temperature range 0 - 160 °C (32 - 320 °F) for short term contact – up to 30 seconds

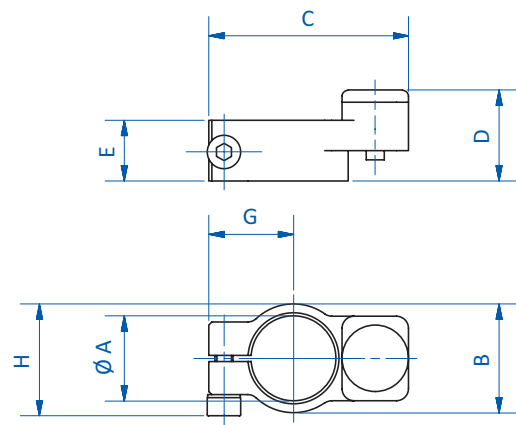
Technical data

Item no.	Suitable for gripper fingers	Clamping \varnothing [mm]	Weight [g]	Replacement parts
GR04.036	GR04.034, GR04.035	14	11	--
GR04.046	GR04.044, GR04.045	20	16	--
GR04.034-H	GR04.034, GR04.035	14	6	GR04.034-HNBR
GR04.044-H	GR04.044, GR04.045	20	13	GR04.044-HNBR
GR04.042-H	GR04.042	30	23	GR04.042-HNBR

Dimensions



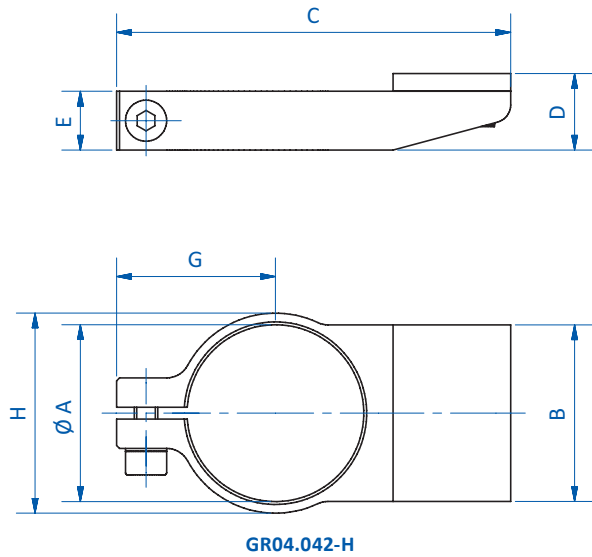
GR04.036 | GR04.046



GR04.034-H | GR04.044-H



Dimensions



GR04.042-H

Item no.	Ø A [mm]	B [mm]	H [mm]	C [mm]	D [mm]	E [mm]	F [mm]	G [mm]
GR04.036	14	18	23.6	34	16.5	10	11.5	15
GR04.046	20	24	29.6	45	14.5	10	16.5	18
GR04.034-H	14	18	18.5	33	15	10	--	14
GR04.044-H	20	24	24	44.5	13	10	--	17
GR04.042-H	30	30	34	67	13	10	--	27

Application examples

> Gripper finger with stop element without HNBR pad



> Gripper finger with stop element with HNBR pad

