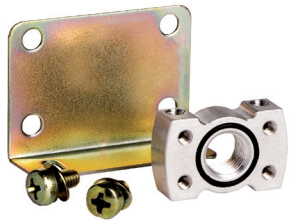




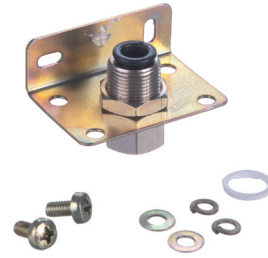
# System monitoring | Accessories

Adapter and mounting brackets for vacuum switches and pressure switches

## Adapter and mounting brackets for vacuum switches and pressure switches



20.522 | 20.523



20.511

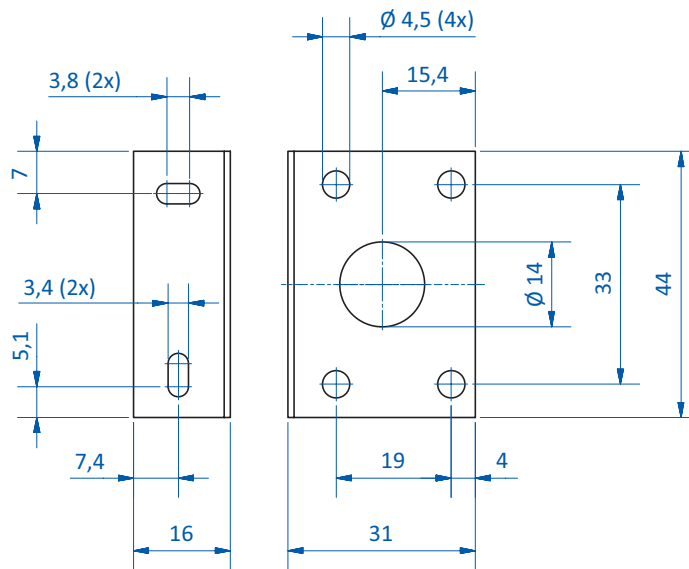
### Ordering notes

> Mounting material included in scope of delivery

### Technical data

Item no.	Description	Suitable for vacuum/pressure switches	Weight [g]
20.511	Push-in fitting G1/8, hose- $\varnothing$ 6 mm with mounting angle	GS02.003, GS02.001, 20.026, 20.027	13
20.522	Adapter with angle bracket for flange assembly	GS02.003, GS02.001, 20.026, 20.027	10
20.523	Adapter for flange assembly	GS02.003, GS02.001, 20.026, 20.027	8

### Dimensions

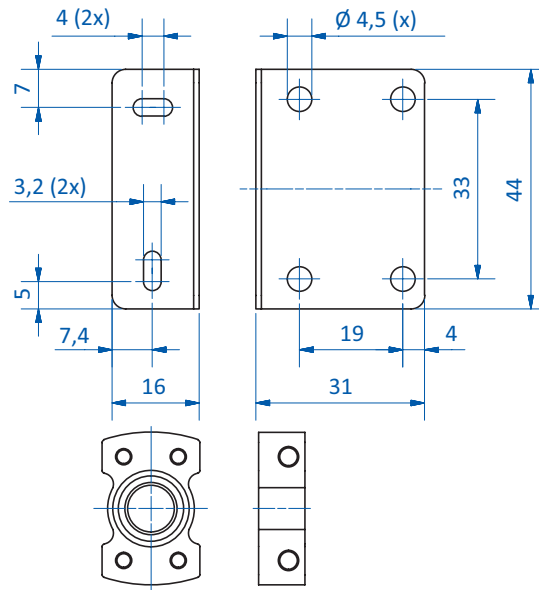


20.511

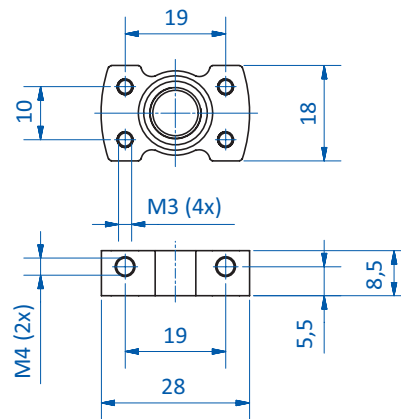
\* = Push-in fitting G1/8, tubing  $\varnothing$  6 mm not displayed



### Dimensions



20.522



20.523

\* = Push-in fitting G1/8, tubing  $\varnothing$  6 mm not displayed