



# Grippers | Sprue grippers

Series 110 – grippers

## Series 110 – grippers



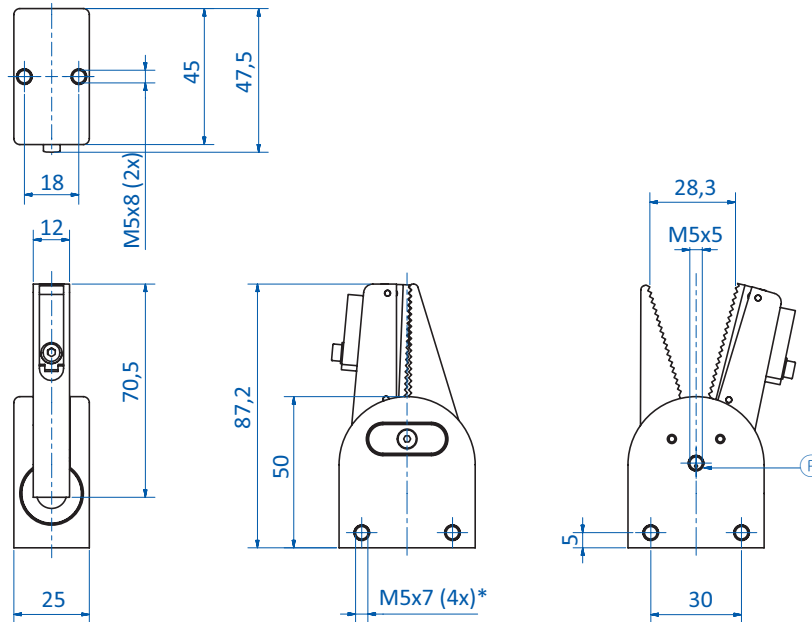
### Product notes

- > High grip force, extra wide jaw opening and gap-free closing allow for a wide range of sprue diameters to be gripped
- > PNP or NPN sensors with 0.3 m cable, 3-pin M8 plug and extension cable 2 m with 3-pin M8 socket & free end, included
- > Principle of operation: single-acting

### Technical data

Item no.	Max. operating pressure [bar (psi)]	Sensor	Closing force on the jaw tip [N]	Minimum sprue thickness [mm]	Weight [g]	Suitable sensors
<b>GR04.110A</b>	8 (116)	PNP	95	1	130	GS04.001
<b>GR04.110A/NPN</b>	8 (116)	NPN	95	1	130	GS04.002
<b>GR04.110B</b>	8 (116)	--	95	1	130	--

### Dimensions

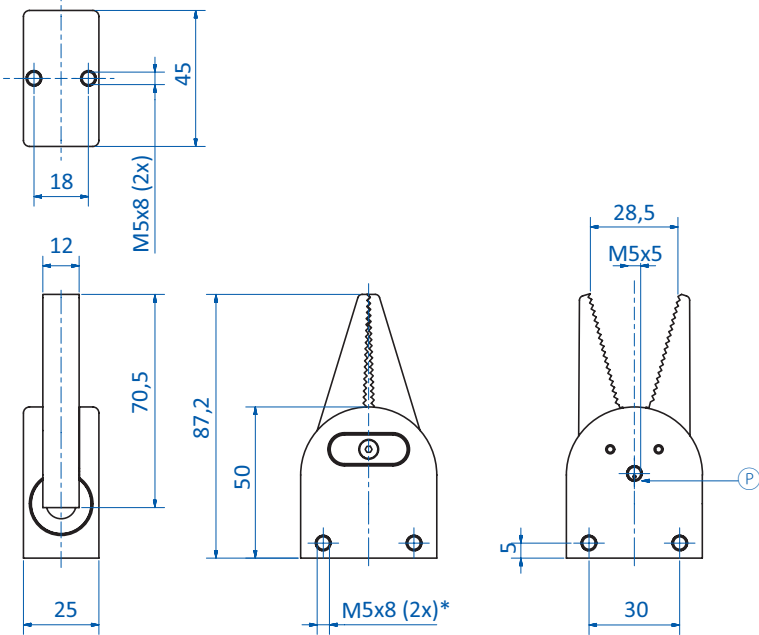


GR04.110A | GR04.110A/NPN

Ⓟ = Compressed air connection \* = Fixing hole



Dimensions



Ⓟ = Compressed air connection \* = Fixing hole