



Series 130 – sprue grippers, clamping diameter 20 mm – single-acting



Product notes

- > Grippers with strong gripping force and wide jaw opening for large gates
- > Tight closing for flat gates
- > Housings and gripper jaws consist of an anodized, high-strength aluminum alloy
- > Model 130 with straight gripper jaws
- > Model 130S with sawtooth profile for inclined gates
- > Model 130U for special gripper jaws; the closing force depends on the shape of the gripper jaws
- > Model 130H with replaceable HNBR pads for gentle handling
- > Model 130B with rounded gripper jaws for large/inclined gates
- > Model P with hook for hard to remove sprues
- > Model 130SXL sawtooth profile with extra-long jaws for long sprues
- > Model 130XW with extra wide gripper jaws for fan gates
- > Index 1N and 1P for direct monitoring; large-area sensor operation, regardless of the position of the gate in the gripper
- > Index 2N and 2P for teachable sensors, direct/indirect sensor monitoring
- > Index 3N and 3P for indirect monitoring; signal triggering if no component has been gripped; no moving parts and thus increased mechanical stability
- > Single-acting
- > Medium: filtered and oiled/non-oiled air
- > Ambient air temperature: -20°C to +80°C (-4 °F to 176 °F)
- > Ambient air temperature for sprue grippers with sensor: -20°C to +75°C (-4 °F to 167 °F)

Technical data

| Item no. | Jaw | Operating pressure [bar (psi)] | Sensor | Electric connection | Closing force at 6 bar (87 psi) [N] | Weight [g] | Accessories |
|---------------------|------------------------|--------------------------------|---|-------------------------|-------------------------------------|------------|--|
| GR04.130 | Standard | 2.5 - 8 (36.3 - 116) | without | -- | 95 | 133 | Extension tube: GR06.024 |
| GR04.130-1N | Standard | 2.5 - 8 (36.3 - 116) | NPN, direct monitoring, one freely adjustable switching point | 3-pin male M8 connector | 95 | 141 | Extension tube: GR06.024 Connecting cable: 20.503 |
| GR04.130-1P | Standard | 2.5 - 8 (36.3 - 116) | PNP, direct monitoring, one freely adjustable switching point | 3-pin male M8 connector | 95 | 141 | Extension tube: GR06.024 Connecting cable: 20.503 |
| GR04.130S | Sawtooth jaws straight | 2.5 - 8 (36.3 - 116) | without | -- | 95 | 134 | Extension tube: GR06.024 |
| GR04.130U | Universal | 2.5 - 8 (36.3 - 116) | without | -- | -- | 128 | Extension tube: GR06.024 Exchangeable jaws: GR04.130C-1 Exchangeable jaws: GR04.130C-4 |
| GR04.130H | HNBR Pad | 2.5 - 8 (36.3 - 116) | without | -- | 95 | 137 | Extension tube: GR06.024 HNBR pad: GR04.130C-4 HNBR |
| GR04.130H-2N | HNBR Pad | 2.5 - 8 (36.3 - 116) | NPN, direct/indirect monitoring, two freely adjustable switching points teachable | 4-pin male M8 connector | 95 | 139 | Extension tube: GR06.024 Connecting cable: 20.501 HNBR pad: GR04.130C-4 HNBR |

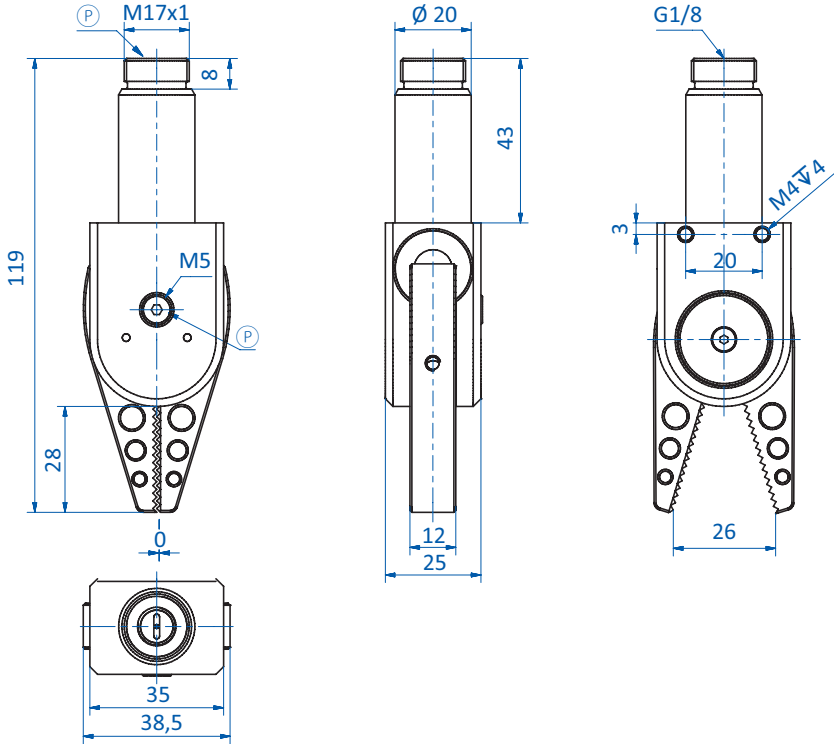


Technical data

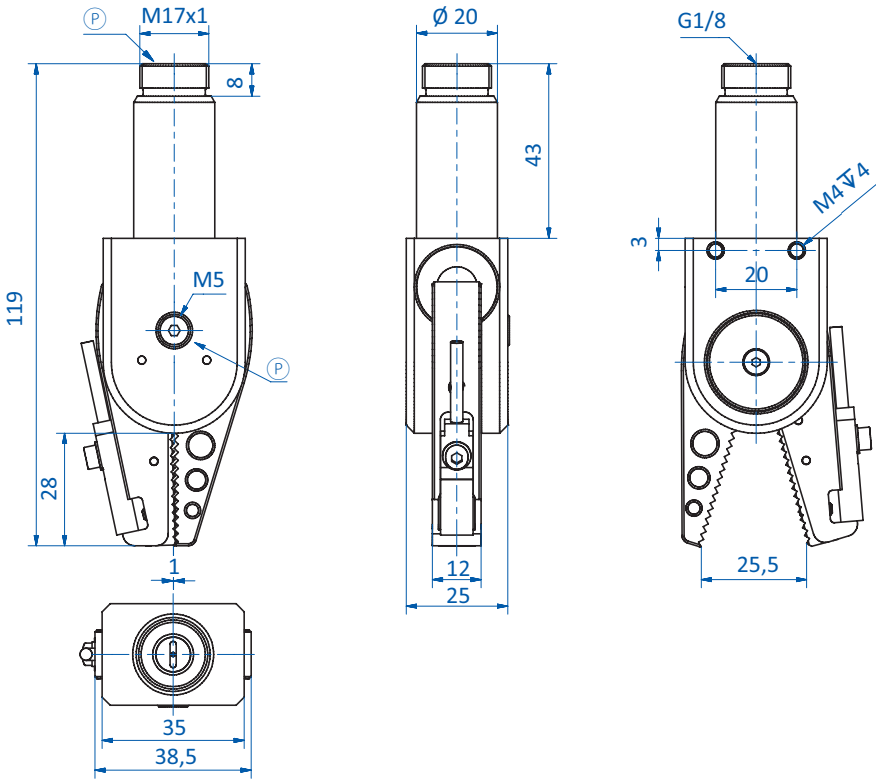
| Item no. | Jaw | Operating pressure [bar (psi)] | Sensor | Electric connection | Closing force at 6 bar (87 psi) [N] | Weight [g] | Accessories |
|-----------------------|---------------------|--------------------------------|---|-------------------------|-------------------------------------|------------|--|
| GR04.130H-2P | HNBR Pad | 2.5 - 8 (36.3 - 116) | PNP, direct/indirect monitoring, two freely adjustable switching points teachable | 4-pin male M8 connector | 95 | 139 | Extension tube: GR06.024 Connecting cable: 20.501 HNBR pad: GR04.130C-4 HNBR |
| GR04.130B | Sawtooth jaws round | 2.5 - 8 (36.3 - 116) | without | -- | 95 | 131 | Extension tube: GR06.024 |
| GR04.130B-1N | Sawtooth jaws round | 2.5 - 8 (36.3 - 116) | NPN, direct monitoring, one freely adjustable switching point | 3-pin male M8 connector | 95 | 140 | Extension tube: GR06.024 Connecting cable: 20.503 |
| GR04.130B-1P | Sawtooth jaws round | 2.5 - 8 (36.3 - 116) | PNP, direct monitoring, one freely adjustable switching point | 3-pin male M8 connector | 95 | 140 | Extension tube: GR06.024 Connecting cable: 20.503 |
| GR04.130P | Parrot | 2.5 - 8 (36.3 - 116) | without | -- | 95 | 140 | -- |
| GR04.130P-1N | Parrot | 2.5 - 8 (36.3 - 116) | NPN, direct monitoring, one freely adjustable switching point | 3-pin male M8 connector | 95 | 149 | -- |
| GR04.130P-1P | Parrot | 2.5 - 8 (36.3 - 116) | PNP, direct monitoring, one freely adjustable switching point | 3-pin male M8 connector | 95 | 149 | -- |
| GR04.130SXL | Xlong | 2.5 - 8 (36.3 - 116) | without | -- | 82 | 140 | Extension tube: GR06.024 |
| GR04.130SXL-2N | Xlong | 2.5 - 8 (36.3 - 116) | NPN, direct/indirect monitoring, two freely adjustable switching points teachable | 4-pin male M8 connector | 82 | 155 | Extension tube: GR06.024 Connecting cable: 20.501 |
| GR04.130SXL-2P | Xlong | 2.5 - 8 (36.3 - 116) | PNP, direct/indirect monitoring, two freely adjustable switching points teachable | 4-pin male M8 connector | 82 | 155 | Extension tube: GR06.024 Connecting cable: 20.501 |
| GR04.130XW | Xwide | 2.5 - 8 (36.3 - 116) | without | -- | 95 | 148 | Extension tube: GR06.024 |
| GR04.130XW-2N | Xwide | 2.5 - 8 (36.3 - 116) | NPN, direct/indirect monitoring, two freely adjustable switching points teachable | 4-pin male M8 connector | 95 | 151 | Extension tube: GR06.024 Connecting cable: 20.501 |
| GR04.130XW-2P | Xwide | 2.5 - 8 (36.3 - 116) | PNP, direct/indirect monitoring, two freely adjustable switching points teachable | 4-pin male M8 connector | 95 | 151 | Extension tube: GR06.024 Connecting cable: 20.501 |
| GR04.130XW-3P | Xwide | 2.5 - 8 (36.3 - 116) | PNP, indirect monitoring | 3-pin male M8 connector | 95 | 139 | Extension tube: GR06.024 Connecting cable: 20.503 |



Dimensions



GR04.130



GR04.130-1N | GR04.130-1P

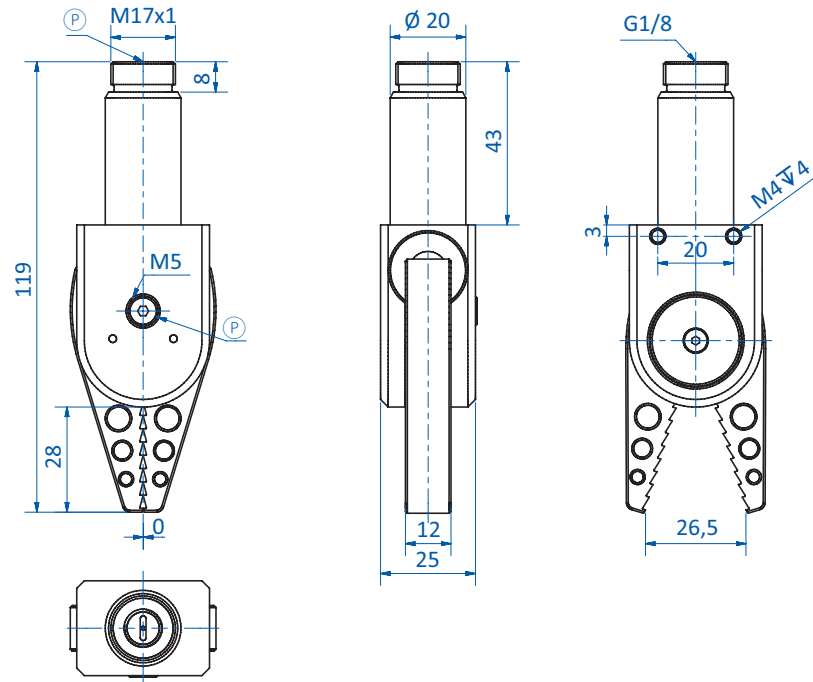
Ⓟ = Compressed air connection



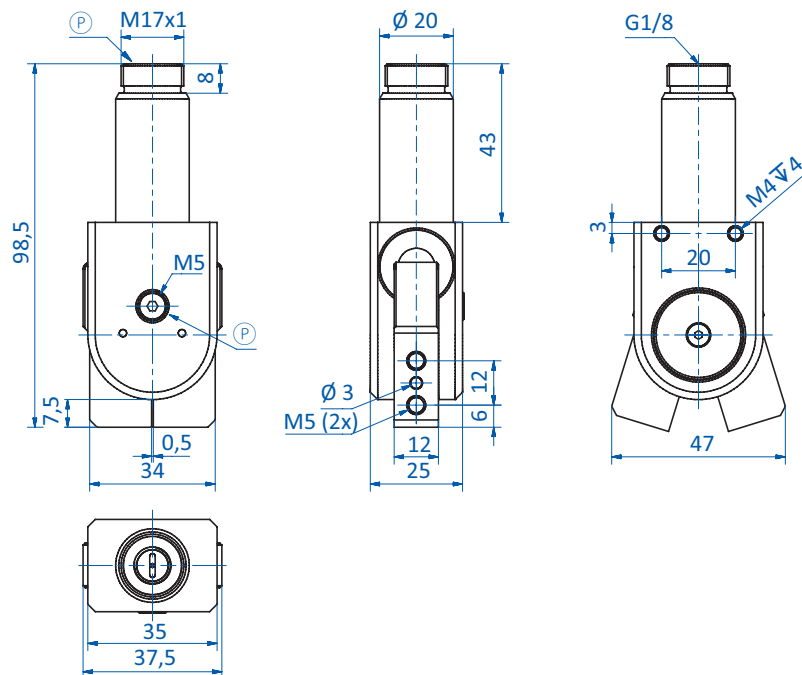
Grippers | Sprue grippers

Series 130 – sprue grippers, clamping diameter 20 mm – single-acting

Dimensions



GR04.130S

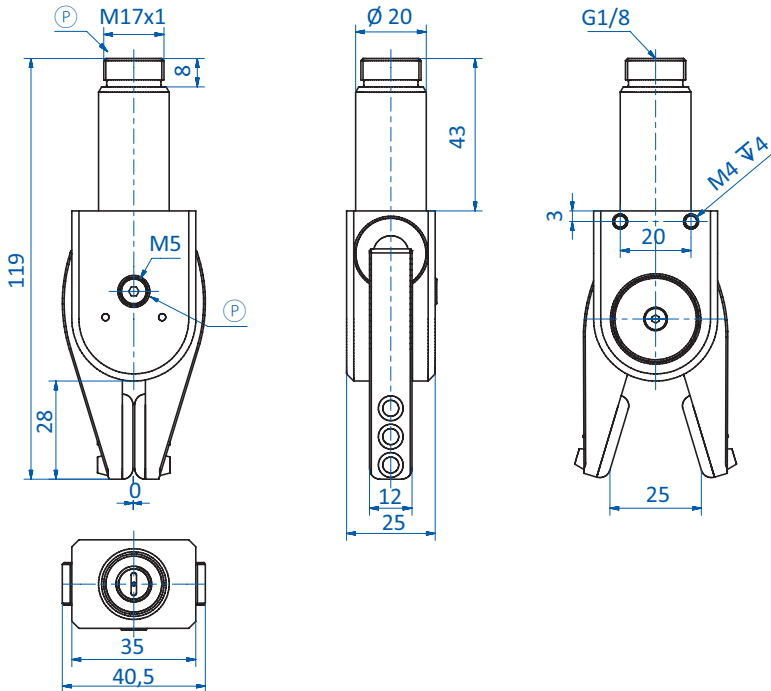


GR04.130U

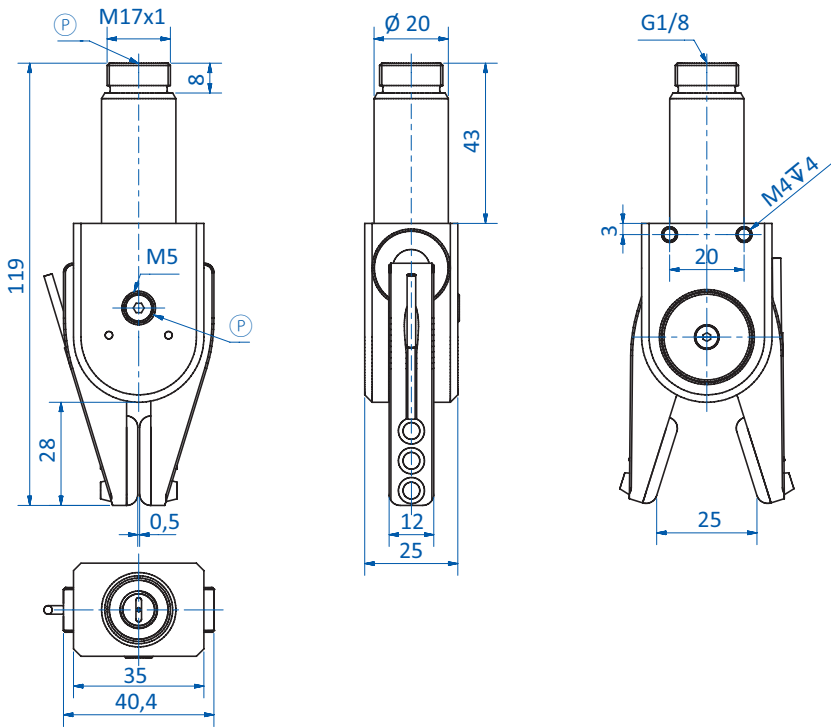
Ⓟ = Compressed air connection



Dimensions



GR04.130H



GR04.130H-2N | GR04.130H-2P

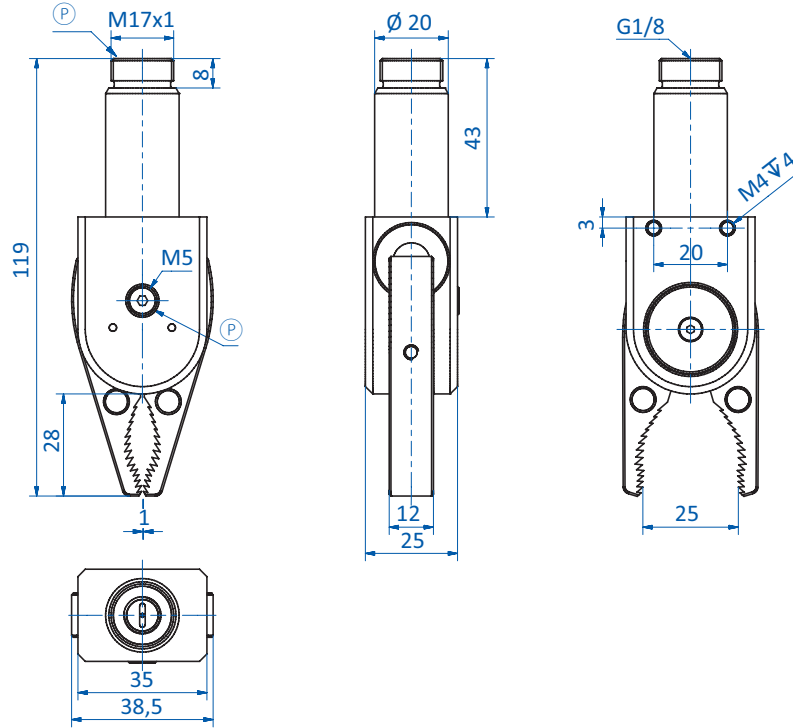
Ⓟ = Compressed air connection



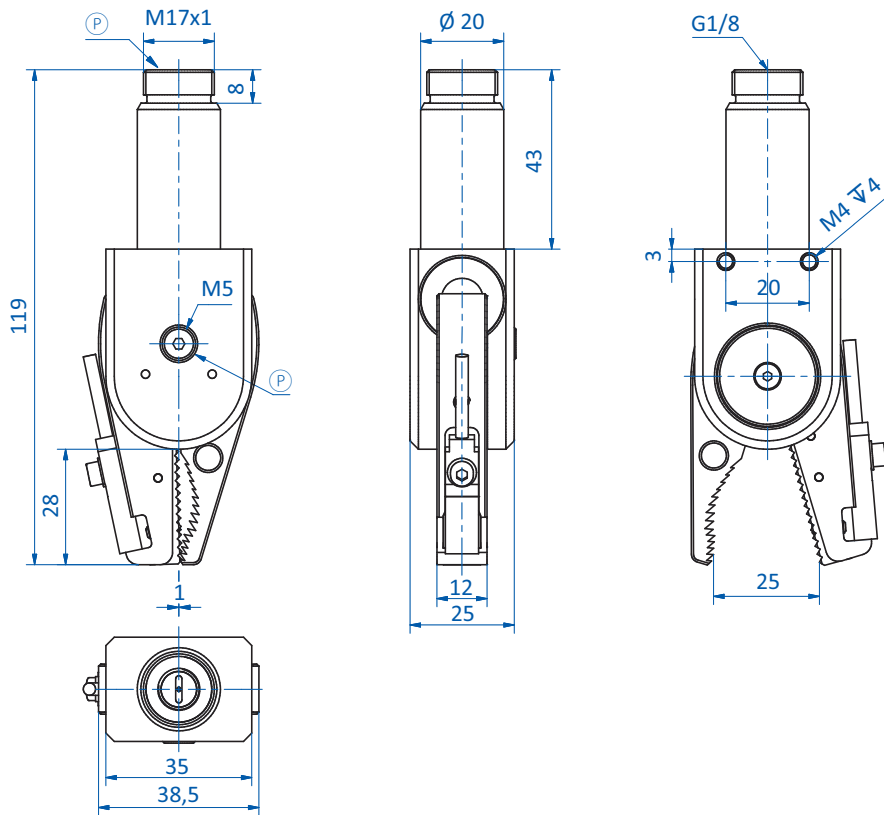
Grippers | Sprue grippers

Series 130 – sprue grippers, clamping diameter 20 mm – single-acting

Dimensions



GR04.130B

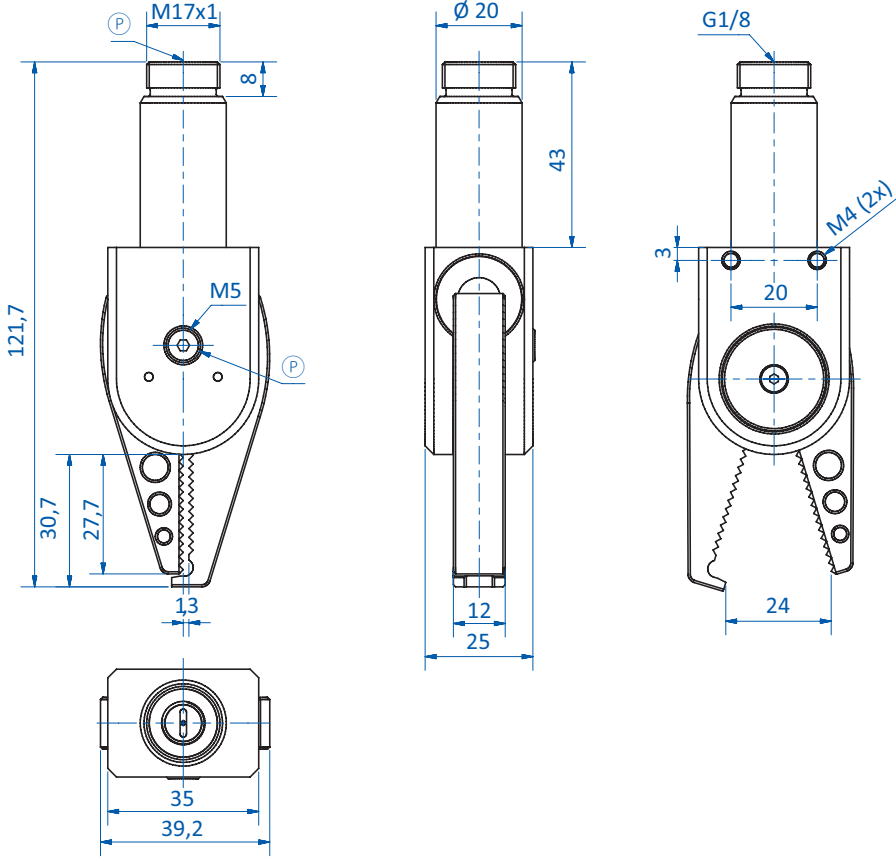


GR04.130B-1N | GR04.130B-1P

Ⓟ = Compressed air connection



Dimensions



GR04.130P

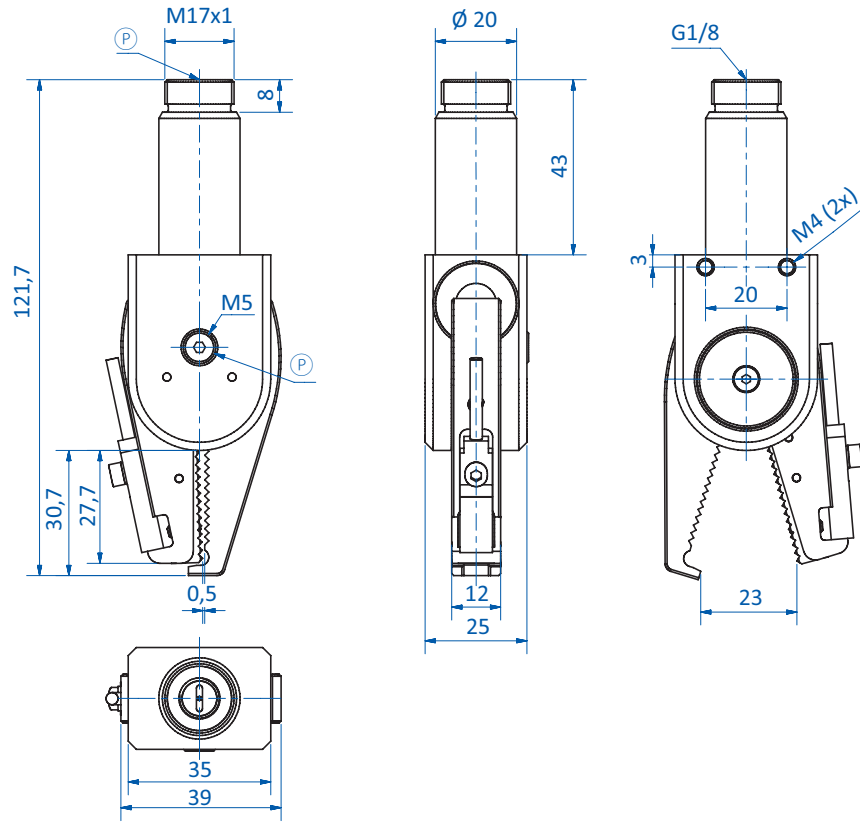
Ⓟ = Compressed air connection



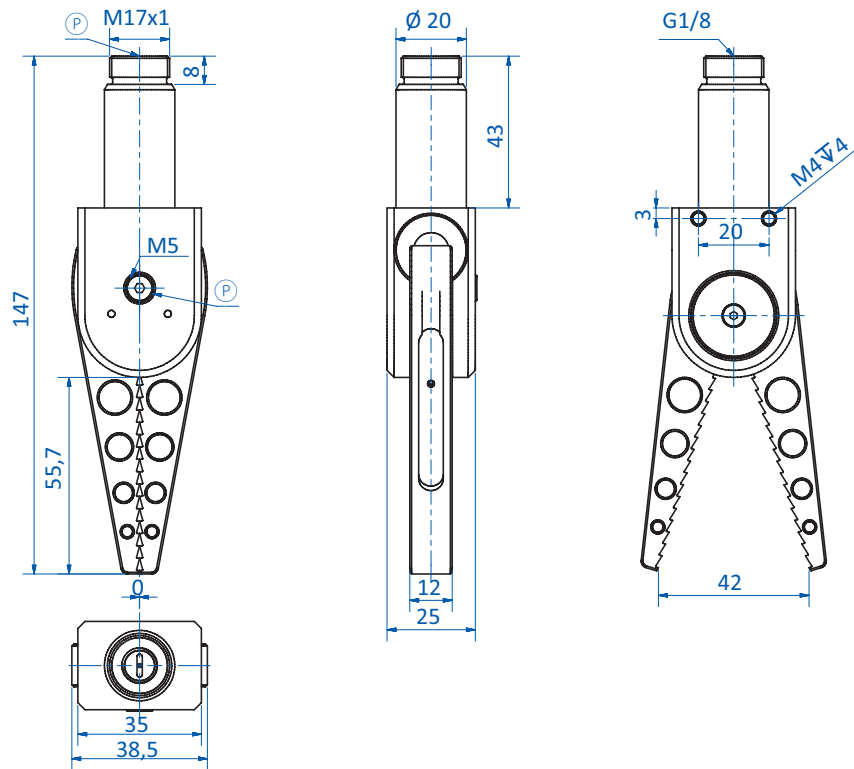
Grippers | Sprue grippers

Series 130 – sprue grippers, clamping diameter 20 mm – single-acting

Dimensions



GR04.130P-1N | GR04.130P-1P

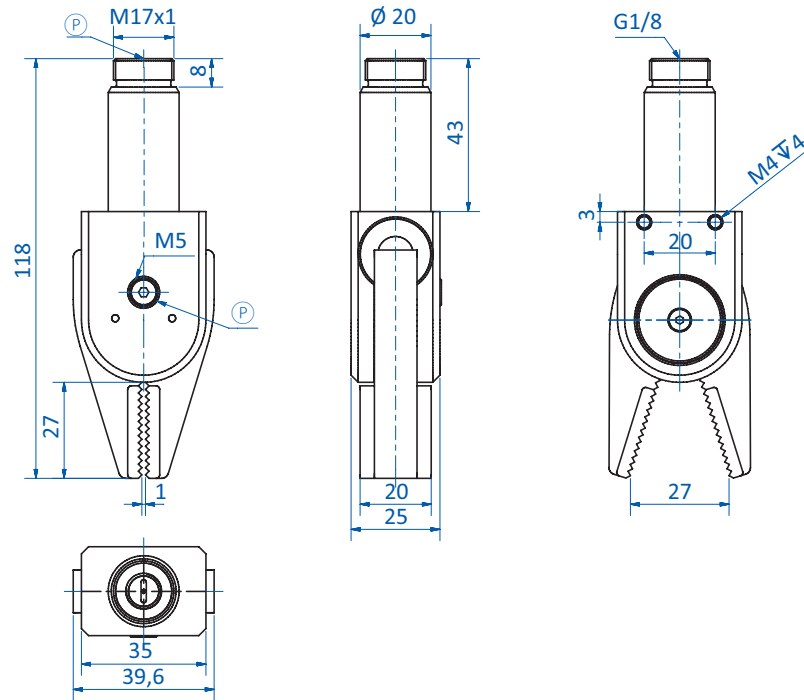


GR04.130SXL | GR04.130SXL-2N | GR04.130SXL-2P

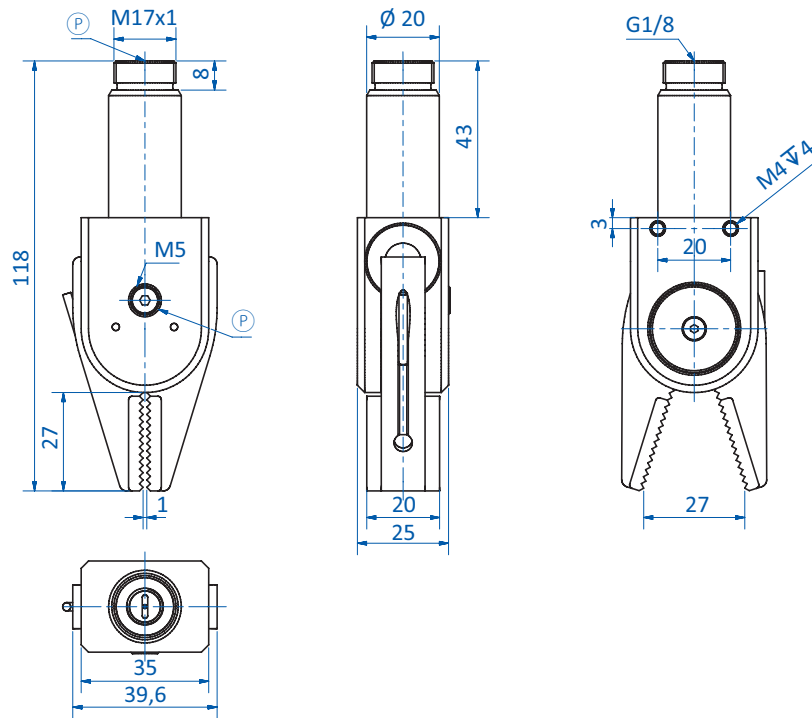
Ⓟ = Compressed air connection



Dimensions



GR04.130XW | GR04.130XW-3P



GR04.130XW-2N | GR04.130XW-2P

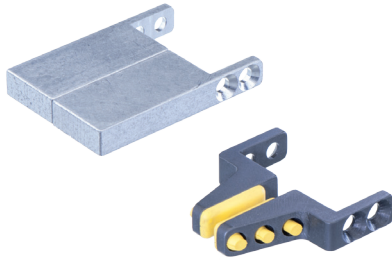
Ⓟ = Compressed air connection



Grippers | Sprue grippers

Interchangeable jaws for gripper GR04.130U

Interchangeable jaws for gripper GR04.130U



GR04.130C-1 and GR04.130C-4

* = Closing force depends on geometry of gripper jaws

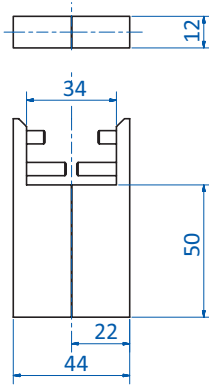
Product notes

> Interchangeable jaws for gripper GR04.130U

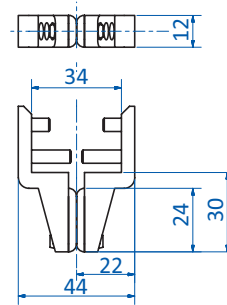
Technical data

| Item no. | Jaw design | Application benefit | Weight [g] | Replacement parts |
|-------------|---------------------|--|------------|-------------------|
| GR04.130C-1 | Blank jaws | Aluminum-blanks: For customized jaw design | 87 | -- |
| GR04.130C-4 | Jaws with HNBR pads | 2 x jaws with HNBR pads – gentle gripping of sensitive components. Temperature range 0 - 160 °C (0 - 320 °F) for short term contact – up to 30 seconds | 35 | GR04.130C-4 HNBR |

Dimensions



GR04.130C-1



GR04.130C-4