



Inductive sensors



GS04.001 | GS04.002

Product notes

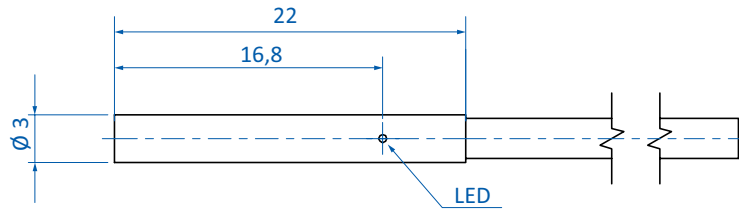
- > Sensors for sprue grippers or parallel grippers
 - > PNP or NPN switching functions
 - > Integrated control LED
 - > GS04.001, GS04.002: sensors for GR04.131D/E, GR04.140B; detection of jaw position (open/closed)
- Included in scope of delivery:
- > GR04.193P/N: 2 m cable, 3-pole, open wires (see accessories for suitable connectors for extension cables)
 - > GS04.001, GS04.002: 0.2 m cable and M8 3-pole plug
 - > GS04.003, GS04.004: 2 m cable, 3-pole, open wires

Technical data

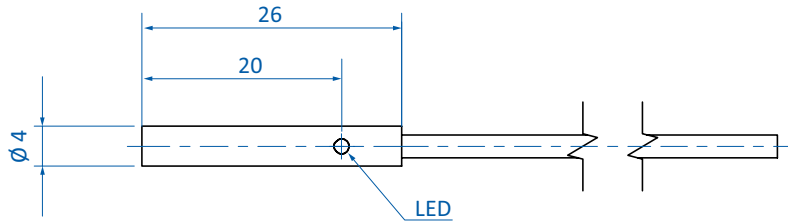
Item no.	Switching output	Plug design	Operating voltage [VDC]	Max. switching current [mA]	Protection class	Operating temperature [°C (°F)]	Cable length [mm]	Weight [g]	Accessories
GS04.003	PNP	Straight	10 - 30	100	IP67	-25 - 70 (-13 - 158)	2,000	16	Connector cable: 20.503 Connector cable: 20.507
GS04.004	NPN	Straight	10 - 30	100	IP67	-25 - 70 (-13 - 158)	2,000	16	Connector cable: 20.503 Connector cable: 20.507
GR04.193P	PNP	Straight	10 - 30	200	IP67	-20 - 70 (-4 - 158)	2,000	25	Plug connector: 20.527 Plug connector: 20.528 Connector cable: 20.503 Connector cable: 20.507
GR04.193N	NPN	Straight	10 - 30	200	IP67	-20 - 70 (-4 - 158)	2,000	25	Plug connector: 20.527 Plug connector: 20.528 Connector cable: 20.503 Connector cable: 20.507
GS04.001	PNP	Straight	10 - 30	100	IP67	-20 - 70 (-4 - 158)	200	38	Connector cable: 20.503 Connector cable: 20.507
GS04.002	NPN	Straight	10 - 30	100	IP67	-20 - 70 (-4 - 158)	200	38	Connector cable: 20.503 Connector cable: 20.507



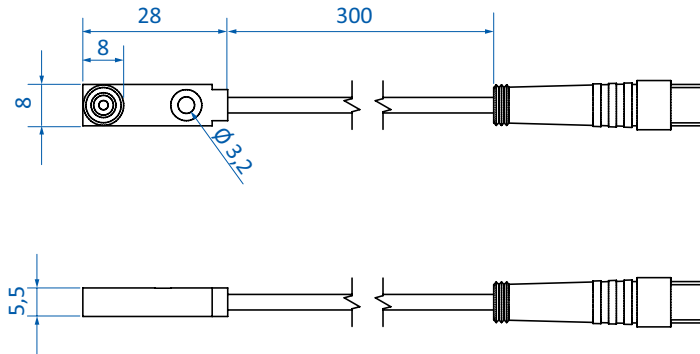
Dimensions



GS04.003 | GS04.004



GR04.193P | GR04.193N



GS04.001 | GS04.002