



90° Swivelling unit for small gripper systems



Product notes

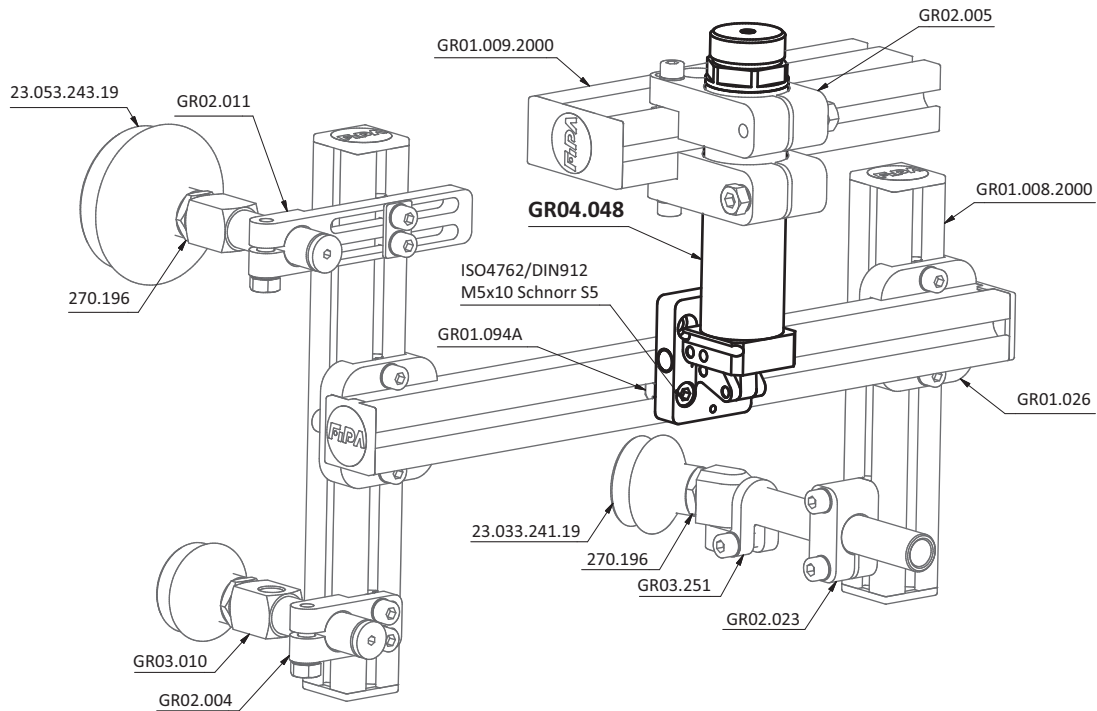
- > Single acting, spring return
- > Optionally available sensors GS04.005 (2x PNP) and GS04.006 (2x NPN) can be taught with two switching points, output M8 4-pole
- > Suitable connection cable (5 m): 20.501

Technical data

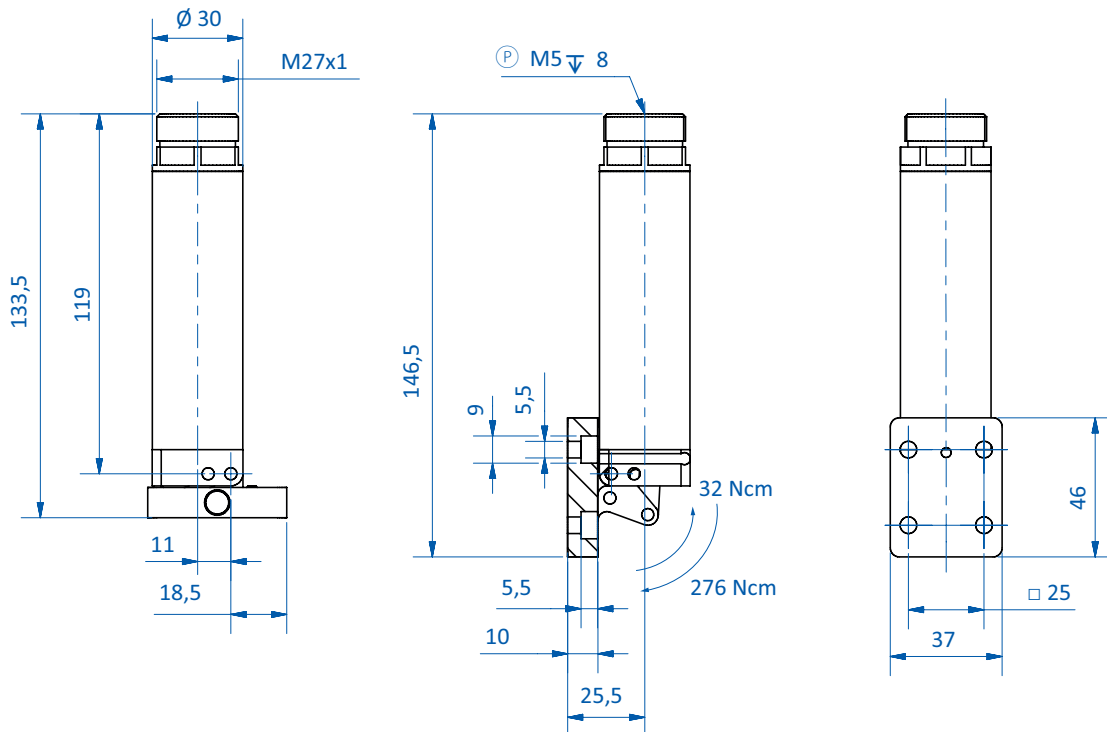
Item no.	GR04.048
Operating pressure [bar (psi)]	2 - 8 (29 - 116)
Clamping \varnothing [mm]	30
Stroke [°]	90
Sensor nut	Yes
Torque Rückstellung [Ncm]	276
Torque Schwenken at 6 bar (87 psi) [Ncm]	32
Weight [g]	235
Accessories	Sensor: GS04.005 Sensor: GS04.006 Connector cable: 20.501



Application example



Dimensions



\textcircled{P} = Compressed air connection