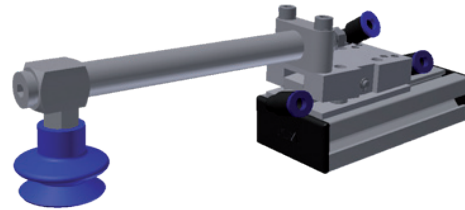
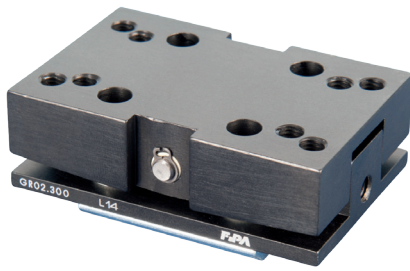




Swivelling unit – universal, double-acting



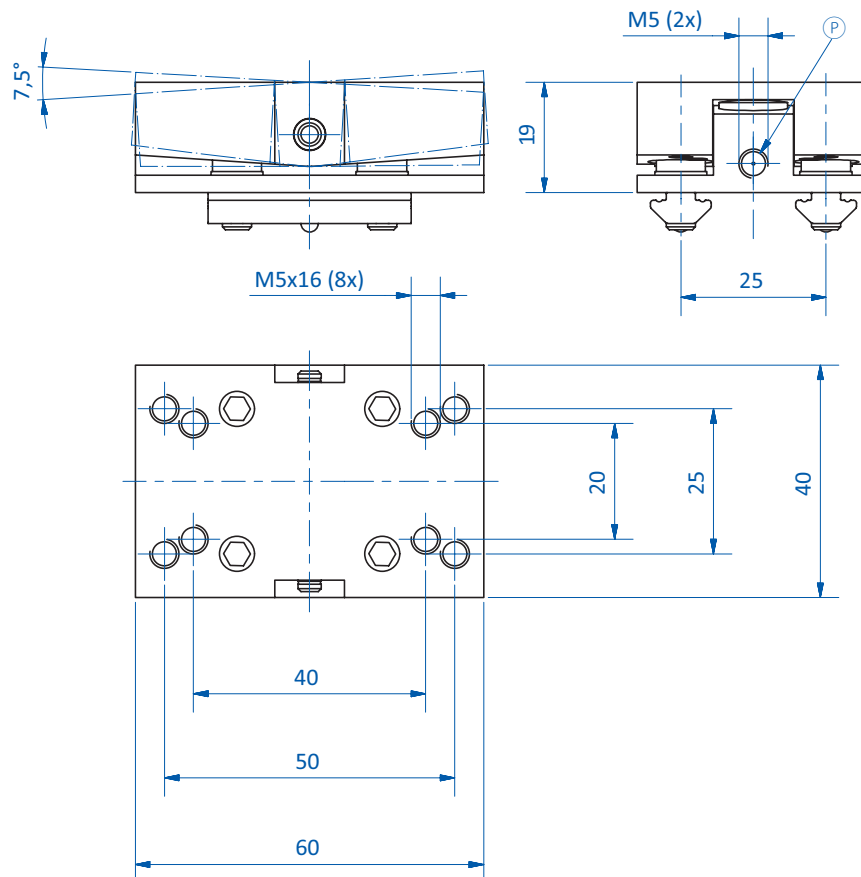
Product notes

- > Space-saving lateral application of vacuum cups to the workpiece
- > Double-acting, controlled swivel movement and short duty cycles

Technical data

Item no.	Principle of operation	Pressure range [bar (psi)]	Angle stroke [°]	Weight [g]
GR02.300	Double-acting	2 - 8 (29 - 116)	7.5	120

Dimensions



Ⓟ = Compressed air connection