



Distributors

With two or three outputs



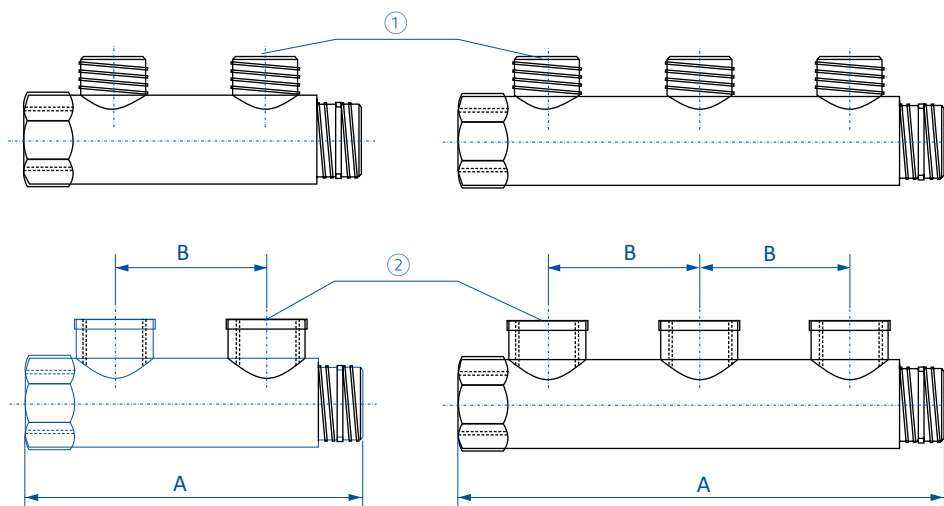
Product notes

- > Construction of vacuum systems by means of simple installation of push-in fittings or quick fittings
- > Suitable for vacuum and compressed air

Technical data

Item no.	Input connection	Output connection	Material	Suitable sealing caps	Dimensions	
					A [mm]	B [mm]
79.025	2x 3/4	2x 1/2 male	Brass blank	79.040, 79.041	114	50
79.026	2x 3/4	2x 1/2 female	Brass blank	79.040, 79.041	114	50
79.028	2x 1	2x 1/2 female	Brass blank	79.040, 79.042	114	50
79.032	2x 3/4	3x 1/2 female	Brass blank	79.040, 79.041	164	50
79.034	2x 1	3x 1/2 female	Brass blank	79.040, 79.042	164	50
79.036	2x 1 1/4	3x 1/2 female	Brass blank	79.040, 79.043	197	60

Dimensions



① = Connection output (male thread) ② = Connection output (female thread)