



Extrusion systems | Air manifolds

Air and vacuum manifolds

Air and vacuum manifolds



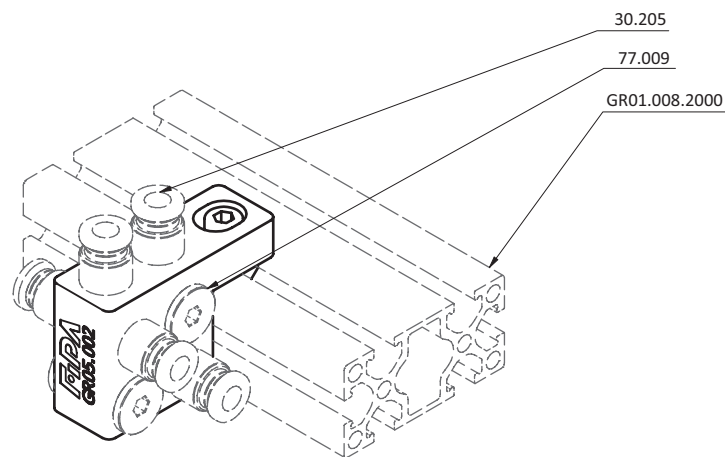
Product notes

> Distribution of air or vacuum in gripper systems

Technical data

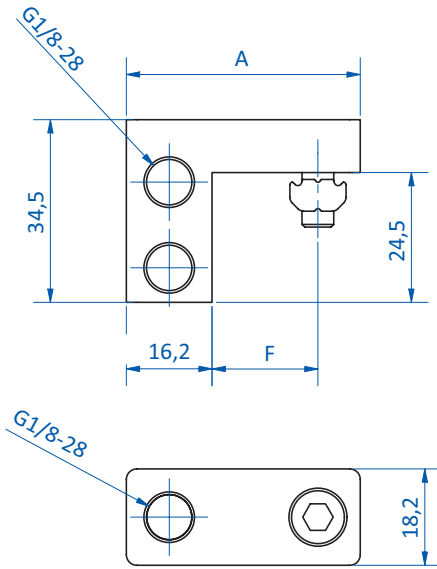
| Item no. | Suitable for extrusion system | Number of inputs | Number of outputs per input | Total outputs | Shorthand of connections | Connection | Weight [g] | Suitable sealing plugs |
|----------|-------------------------------|------------------|-----------------------------|---------------|--------------------------|----------------------------------|------------|------------------------|
| GR05.001 | SLine / MLine | 1 | 4 | 4 | 5 | G1/8 | 31 | 77.009 |
| GR05.011 | JLine | 1 | 4 | 4 | 5 | G1/8 | 39 | 77.009 |
| GR05.002 | SLine / MLine | 2 | 4 | 8 | 10 | G1/8 | 49 | 77.009 |
| GR05.012 | JLine | 2 | 4 | 8 | 10 | G1/8 | 57 | 77.009 |
| GR05.003 | SLine / MLine | 2 | 6 | 12 | 14 | G1/8 (outputs), G1/4 (inputs) | 155 | 77.009 77.008 |
| GR05.004 | SLine / MLine | 1 | 8 | 8 | 9 | G1/8 | 50 | 77.009 |
| GR05.014 | JLine | 1 | 8 | 8 | 9 | G1/8 | 58 | 77.009 |

Application example

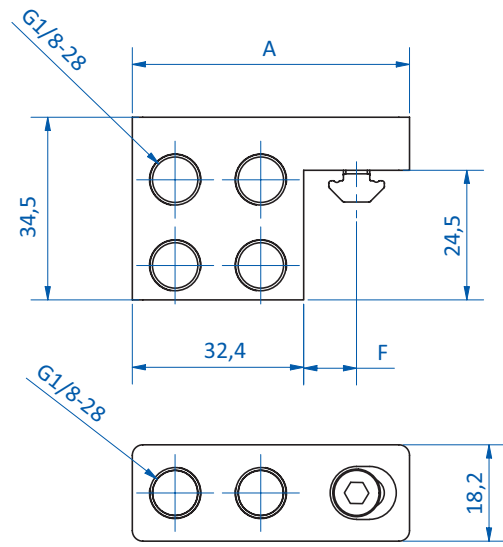




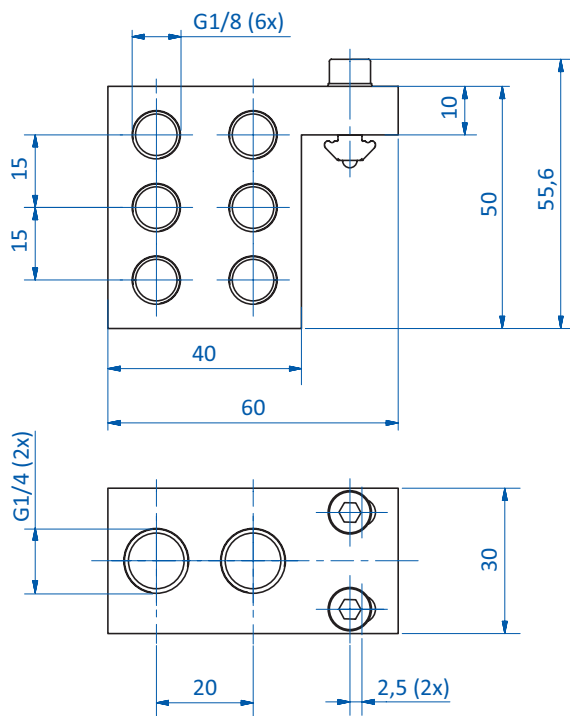
Dimensions



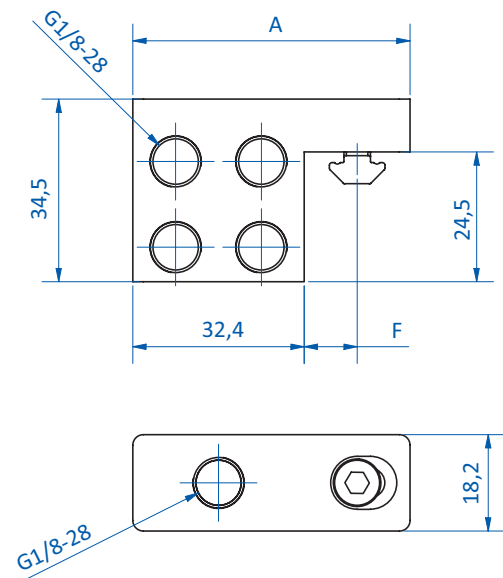
GR05.001 | GR05.011



GR05.002 | GR05.012



GR05.003



GR05.004 | GR05.014

| Item no. | A [mm] | F [mm] |
|----------|--------|-----------|
| GR05.001 | 36.2 | 10 - 12.5 |
| GR05.011 | 44.2 | 20 |
| GR05.002 | 52.4 | 10 - 12.5 |
| GR05.012 | 60.4 | 20 |
| GR05.003 | -- | -- |
| GR05.004 | 52.4 | 10 - 12.5 |
| GR05.014 | 60.4 | 20 |