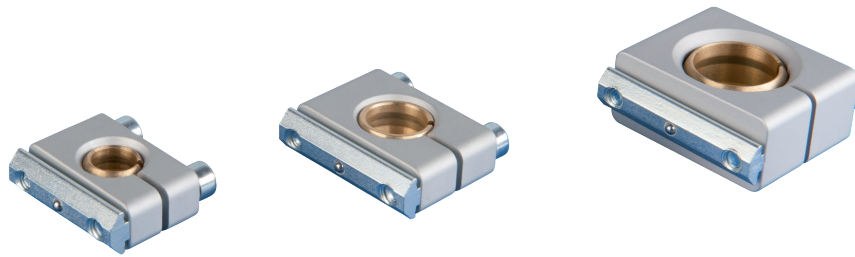




Cross clamps – with ball joint



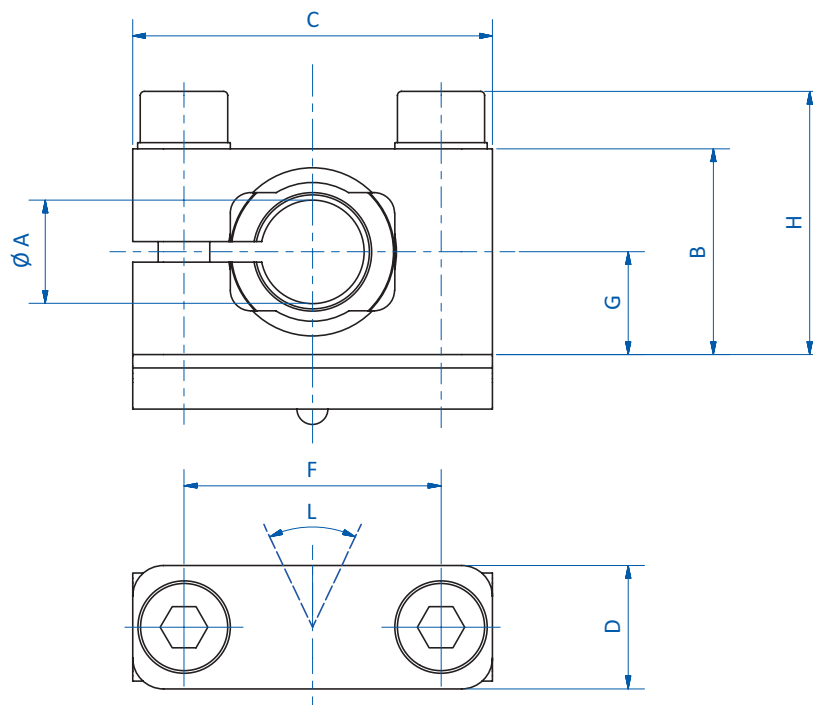
Product notes

- > Elements for clamping of gripper components
- > Ball joint enables variable angular adjustment of gripper components up to max. 19°

Technical data

Item no.	Suitable for extrusion system	Angular adjustment [°]	Weight [g]
GR02.020-KG	SLine / MLine	19	38
GR02.022-KG	SLine / MLine	16	98
GR02.023-KG	SLine / MLine	17	49

Dimensions



Item no.	$\varnothing A$ [mm]	B [mm]	C [mm]	D [mm]	F [mm]	G [mm]	H [mm]	L [°]
GR02.020-KG	10	20	35	12	25	10	25.6	19
GR02.022-KG	20	35	45	20	35	17.5	40.6	16
GR02.023-KG	14	25	40	12	30	12.5	30.6	17