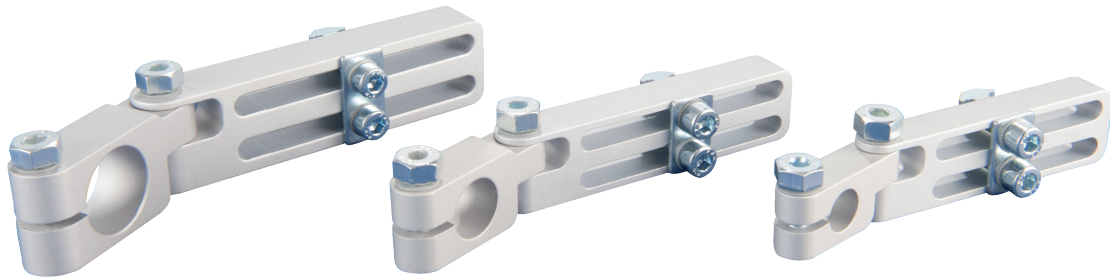




Extrusion systems | Clamps for shafts

Long angle clamps – with swivel head

Long angle clamps – with swivel head



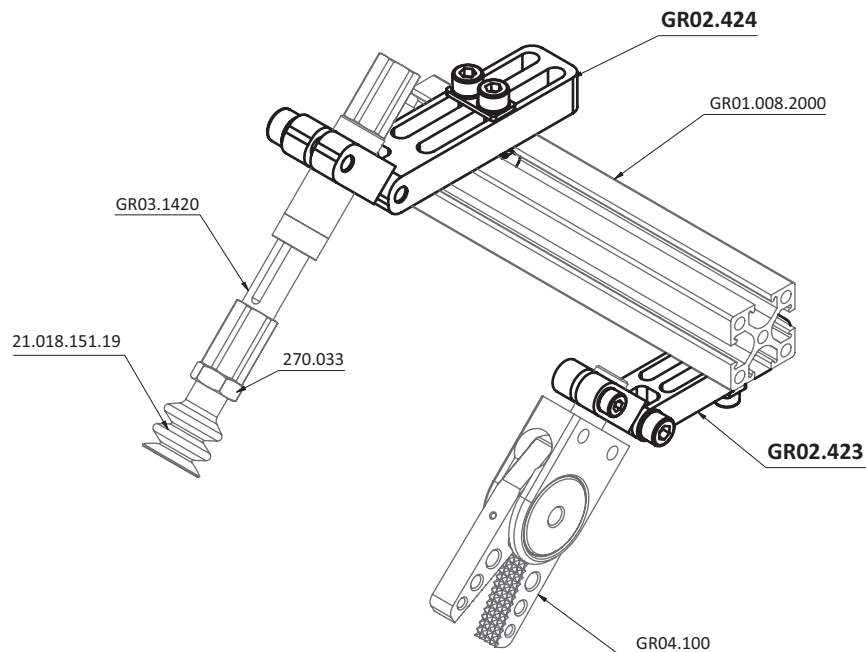
Product notes

- > Swivel head allows for angle variable installation of gripper components
- > Allows for adjustment parallel and perpendicular to the profile frame

Technical data

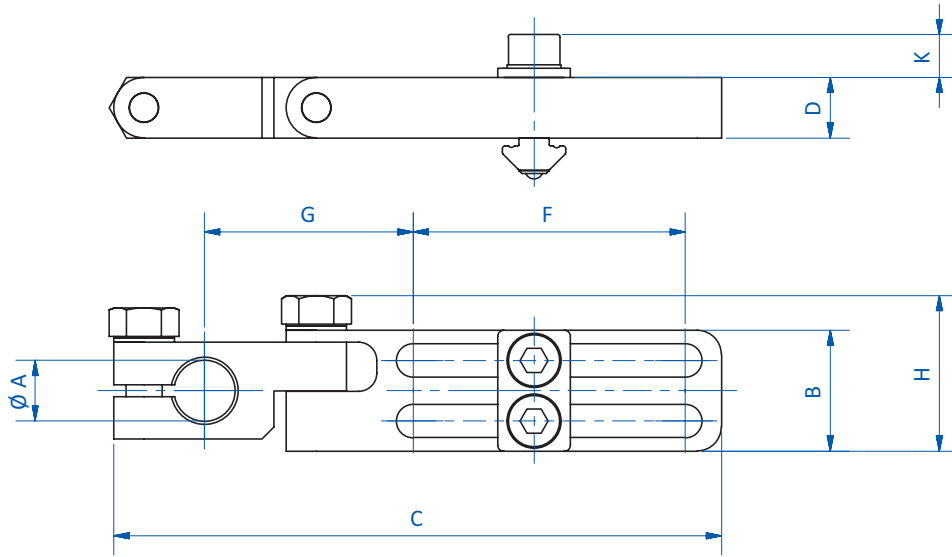
Item no.	Suitable for extrusion system	Weight [g]
GR02.026	SLine / MLine / JLine (Universal)	56
GR02.027	SLine / MLine / JLine (Universal)	62
GR02.028	SLine / MLine / JLine (Universal)	90
GR02.029	SLine / MLine / JLine (Universal)	152
GR02.423	MLine / JLine	37.4
GR02.424	MLine / JLine	65.8
GR02.425	MLine / JLine	107.3
GR02.426	MLine / JLine	240.3
GR-XL02.029	XLine	223

Application example





Dimensions



Item no.	Ø A [mm]	B [mm]	C [mm]	D [mm]	F [mm]	G [mm]	H [mm]	K [mm]
GR02.026	10	20	100.5	10	45	34.5	25.7	7.1
GR02.027	14	20	116.5	12	55	37.5	25.7	7.1
GR02.028	20	25	136	15	65	44	30.7	7.1
GR02.029	30	35	183.8	22.5	85	58.8	40.7	7.1
GR02.423	10	16	86	10	40	27	21.6	6
GR02.424	14	20	105.5	12	50	32.5	26.7	7.1
GR02.425	20	25	123.5	15	60	38.5	31.7	7.1
GR02.426	30	35	166	20	82	52	41.7	8.2
GR-XL02.029	30	45	185	20	85	60	45.7	10.3