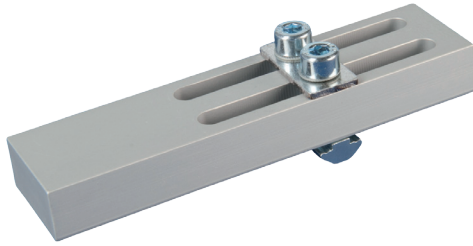




Angle clamps – customizable



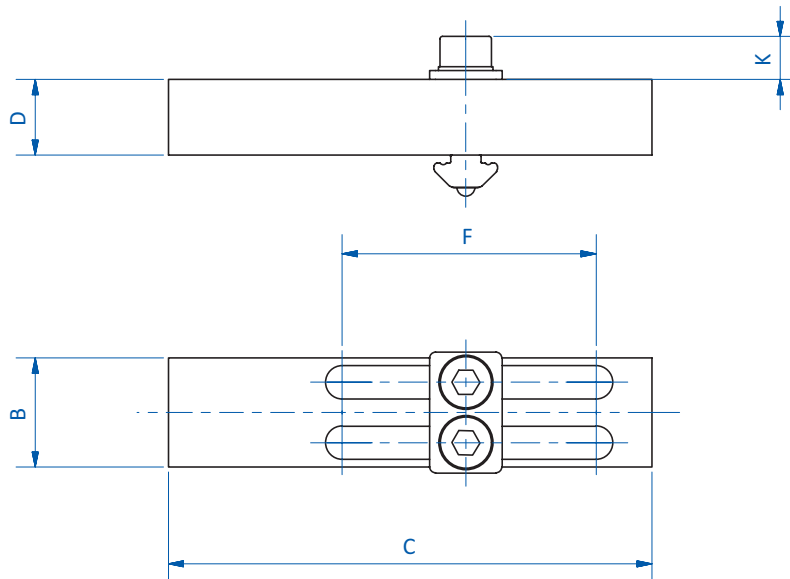
Product notes

- > Mounting blank for custom solutions
- > Allows for adjustment parallel and perpendicular to the profile frame

Technical data

Item no.	Suitable for extrusion system	Weight [g]
GR02.014	SLine / MLine	47
GR02.015	SLine / MLine	84

Dimensions



Item no.	B [mm]	C [mm]	D [mm]	F [mm]	K [mm]
GR02.014	18	80	12.5	42	7.1
GR02.015	25	100	12.5	52	7.1