

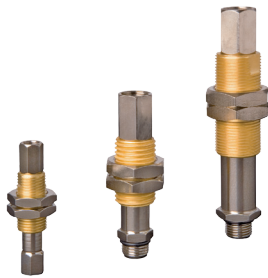


Fastening elements vacuum cups | Spring leveler

Spring levelers with internal spring and threaded connection – SZ-NIV-I

Spring levelers with internal spring and threaded connection – SZ-NIV-I

BESTSELLER



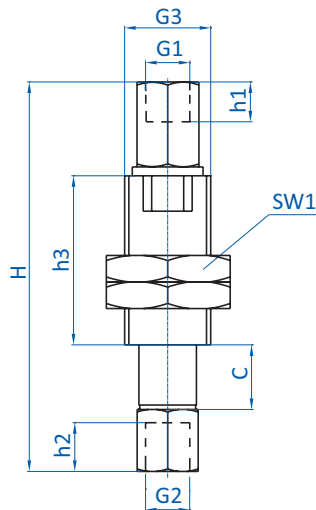
Product notes

- > Compensate for height differences
- > Soft attachment for sensitive products
- > With internal spring protected from dirt and with spring deflection limiter
- > Vacuum connection on top, vacuum channel via spring leveler

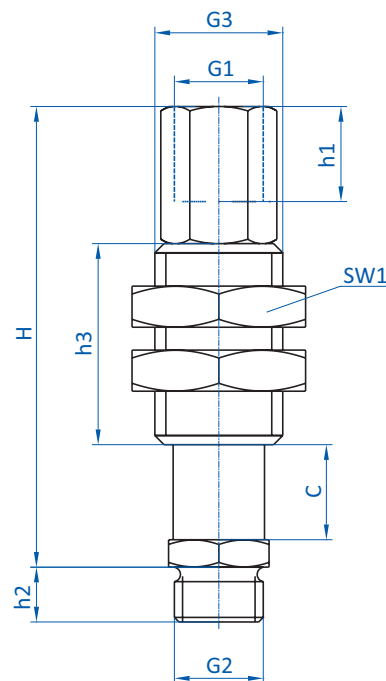
Technical data

Item no.	Model	Thread suction side G2	Thread fixing bushes G3	Stroke C [mm]	Spring rate [N/mm]	Max. spring force [N]	Spring pre-load [N]	Weight [g]	Suitable mounting bracket
50.120	SZ-NIV-I-M5-IG-7	M5-female	G1/8-male	7	0.606	6	1.8	17	GR02.230
50.123	SZ-NIV-I-G1/8-AG-8	G1/8-male	M14x1.5-male	8	0.097	2.6	1.8	42	--
50.124	SZ-NIV-I-G1/8-AG-20	G1/8-male	M16x1-male	19	0.482	12.8	3.7	73	GR02.231

Dimensions



50.120



50.123 | 50.124

Item no.	H [mm]	h1 [mm]	h2 [mm]	h3 [mm]	SW1	G1 (female)	G2 (female)	G2 (male)	G3 (male)	C [mm]
50.120	44	4.3	5	19	14	M5	M5	--	G1/8	7
50.123	50	10	6	22	19	G1/8	--	G1/8	M14x1.5	8
50.124	73	12	5.6	35	21	G1/8	--	G1/8	M16x1	20