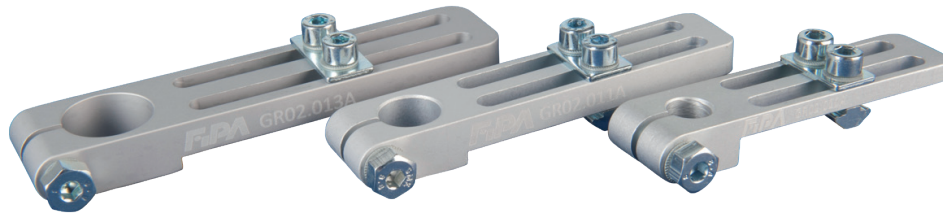




Long angle clamps



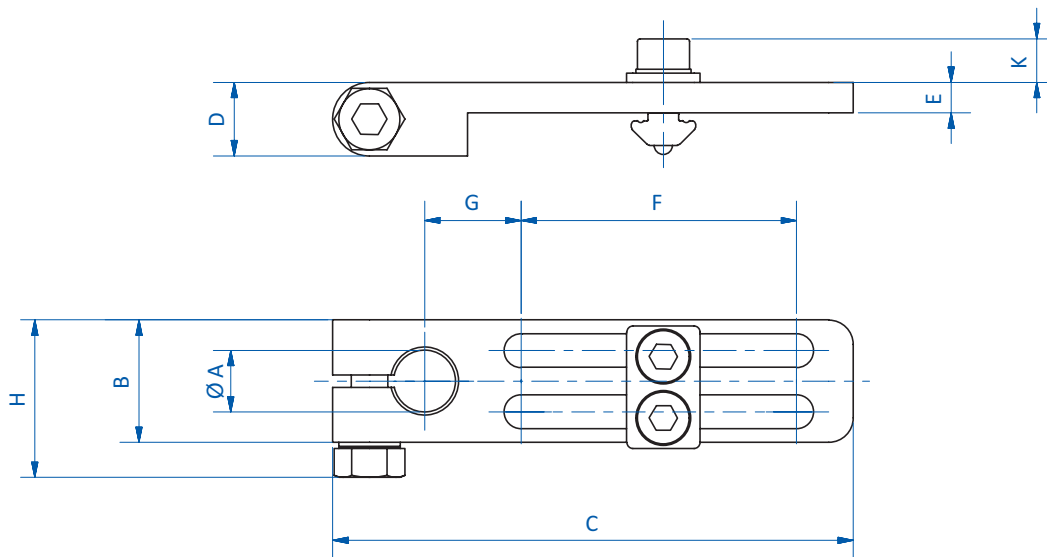
Product notes

- > For 90° mounting of gripper components
- > Allows for adjustment parallel and perpendicular to the profile frame

Technical data

Item no.	Suitable for extrusion system	Weight [g]
GR02.010A	SLine / MLine	52
GR02.011A	SLine / MLine	58
GR02.013A	SLine / MLine	85
GR02.016	SLine / MLine	150
GR-XL02.013	XLine	140
GR-XL02.016	XLine	213

Dimensions



Item no.	Ø A [mm]	B [mm]	C [mm]	D [mm]	E [mm]	F [mm]	G [mm]	H [mm]	K [mm]
GR02.010A	10	20	85	12	8	45	15.8	25.7	7.1
GR02.011A	14	20	98.5	12	8.5	55	17.3	25.7	7.1
GR02.013A	20	25	114	12	8.5	64.5	20.3	30.7	7.1
GR02.016	30	35	122	20	10	65	27	40.7	7.1
GR-XL02.013	20	30	150	15	7.5	100	21	35.7	10.3
GR-XL02.016	30	36	162	20	20	100	25.5	40.7	10.3