



Valve technology | Solenoid valves for vacuum

3/2-way solenoid vacuum valves, internally vacuum pilot operated

3/2-way solenoid vacuum valves, internally vacuum pilot operated



36.610 | 36.611



36.615 to 36.626

Product notes

- > Suction on/off, blow-off, ventilation of vacuum cups
- > High suction power at small construction for short evacuation time and fast vacuum build-up
- > Valve operation requires no compressed air connection due to internal vacuum control
- > Required minimum vacuum level 40 %
- > Short switching times
- > NO: Safe gripping of workpiece during power failure
- > Robust and light-weight housing

Ordering notes

- > 36.610 and 36.611: Coil and DIN plug included in scope of delivery
- > 36.615 to 36.626: Delivery without coil and plug; please order: Power consumption: 24 VDC: 5 W, 230 VAC: 5 VA

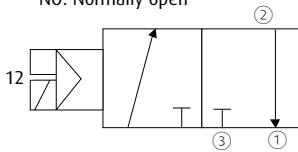
Technical data

Item no.	Nominal width [mm]	Nominal flow rate [m ³ /h]	Pressure range [bar (psii)]	Operating principle	Switching time at -800 mbar [ms]	Material	Operating temperature [°C (°F)]	Weight [g]	Suitable accessories
36.610	10	10	-0.99 - 0 (-14.4 - 0)	NC	30	Aluminum anodized	-5 - 50 (23 - 122)	420	--
36.611	10	10	-0.99 - 0 (-14.4 - 0)	NO	30	Aluminum anodized	-5 - 50 (23 - 122)	420	--
36.615	15	20	-0.99 - 0 (-14.4 - 0)	NO	85	High resistant, fiber-glass reinforced Polyarylamide (IXEF®)	-5 - 50 (23 - 122)	390	Solenoid coil: 10.0058/230VAC Solenoid coil: 10.0052/24VDC Plug: 10.006
36.616	15	20	-0.99 - 0 (-14.4 - 0)	NC	85	High resistant, fiber-glass reinforced Polyarylamide (IXEF®)	-5 - 50 (23 - 122)	390	Solenoid coil: 10.0058/230VAC Solenoid coil: 10.0052/24VDC Plug: 10.006
36.620	20	40	-0.99 - 0 (-14.4 - 0)	NO	85	High resistant, fiber-glass reinforced Polyarylamide (IXEF®)	-5 - 50 (23 - 122)	370	Solenoid coil: 10.0058/230VAC Solenoid coil: 10.0052/24VDC Plug: 10.006
36.621	20	40	-0.99 - 0 (-14.4 - 0)	NC	85	High resistant, fiber-glass reinforced Polyarylamide (IXEF®)	-5 - 50 (23 - 122)	370	Solenoid coil: 10.0058/230VAC Solenoid coil: 10.0052/24VDC Plug: 10.006
36.625	25	90	-0.99 - 0 (-14.4 - 0)	NO	100	High resistant, fiber-glass reinforced Polyarylamide (IXEF®)	-5 - 50 (23 - 122)	520	Solenoid coil: 10.0058/230VAC Solenoid coil: 10.0052/24VDC Plug: 10.006
36.626	25	90	-0.99 - 0 (-14.4 - 0)	NC	100	High resistant, fiber-glass reinforced Polyarylamide (IXEF®)	-5 - 50 (23 - 122)	520	Solenoid coil: 10.0058/230VAC Solenoid coil: 10.0052/24VDC Plug: 10.006



Wiring diagrams

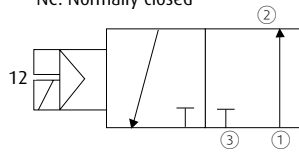
NO: Normally open



Assignment:

- ① = P (Vacuum supply)
- ② = A (Product side)
- ③ = R (Ventilation (Blow-off))

NC: Normally closed



Assignment:

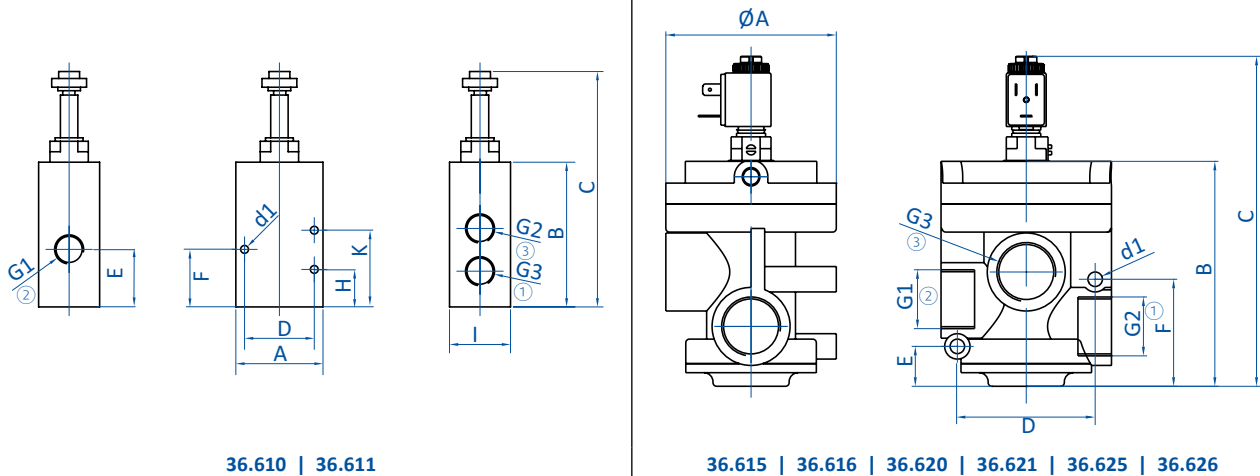
- ① = P (Ventilation (Blow-off))
- ② = A (Product side)
- ③ = R (Vacuum supply)

Pilot valve



- > Manual mode for functional test: Setscrew in zero position
- > Automatic mode: Setscrew in position "1"

Dimensions



36.610 | 36.611

36.615 | 36.616 | 36.620 | 36.621 | 36.625 | 36.626

① = Vacuum supply / Ventilation (Blow-off) ② = Product side ③ = Ventilation (Blow-off) / Vacuum supply

Item no.	G1	G2	G3	Ø A [mm]	A [mm]	B [mm]	C [mm]	D [mm]	d1 [mm]	E [mm]	F [mm]	H [mm]	I [mm]	K [mm]
36.610	G3/8	G3/8	G3/8	--	50	83	137	40	4.5	22.5	33	21.5	35	44
36.611	G3/8	G3/8	G3/8	--	50	83	137	40	4.5	35	33	21.5	35	44
36.615	G1/2	G1/2	G1/2	75	--	101	155	63	6.5	22.5	55	--	--	--
36.616	G1/2	G1/2	G1/2	75	--	101	155	63	6.5	22.5	55	--	--	--
36.620	G3/4	G3/4	G3/4	75	--	101	155	63	6.5	22.5	55	--	--	--
36.621	G3/4	G3/4	G3/4	75	--	101	155	63	6.5	22.5	55	--	--	--
36.625	G1	G1	G1	94	--	124	178	63	8.2	22	58	--	--	--
36.626	G1	G1	G1	94	--	124	178	63	8.2	22	58	--	--	--