



Valve technology | Solenoid valves for vacuum

3/2-way solenoid vacuum valve, directly controlled

3/2-way solenoid vacuum valve, directly controlled



Product notes

- > Very high suction power at small construction size for short evacuation time and fast vacuum build-up
- > Fast product release due to integrated vent port
- > Suction on/off, blow-off or ventilation of vacuum systems
- > Also suitable for positive pressure
- > Short response time
- > Robust brass housing in compact design for demanding applications
- > Incl. energy saving coil for minimized power consumption and less heat development

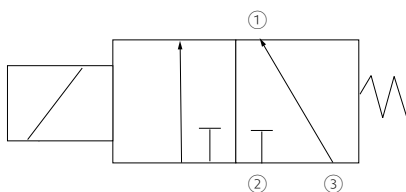
Ordering notes

- > Included in scope of delivery: Energy saving coil 24 VDC or 230 VAC for minimized power consumption and less generation of heat and DIN IP65 plug
- > Further available voltages:
 - VAC: 115, 48, 24
 - VDC: 12
- > Standard seal is NBR, different material, such as EPDM, for higher temperatures on request

Technical data

Item no.	36.009/24VDC	36.009/230VAC
Nominal width [mm]	13	13
Nominal flow rate [m ³ /h]	8.8	8.8
Pressure range [bar (psi)]	-0.99 - 2 (-14.4 - 29)	-0.99 - 4 (-14.4 - 58)
Operating principle	NC	NC
Closing time [ms]	21	21
Duty ratio [%]	100	100
Power consumption [W]	12	12
Protection class	IP65	IP65
Operating temperature [°C (°F)]	-10 - 60 (14 - 140)	-10 - 60 (14 - 140)
Weight [g]	540	540
Suitable accessories	Push-in fittings: 30.017 Plug: 10.007 Coil: 10.0050/24VDC	Push-in fittings: 30.017 Plug: 10.007 Coil: 10.0050/230VAC

Wiring diagram

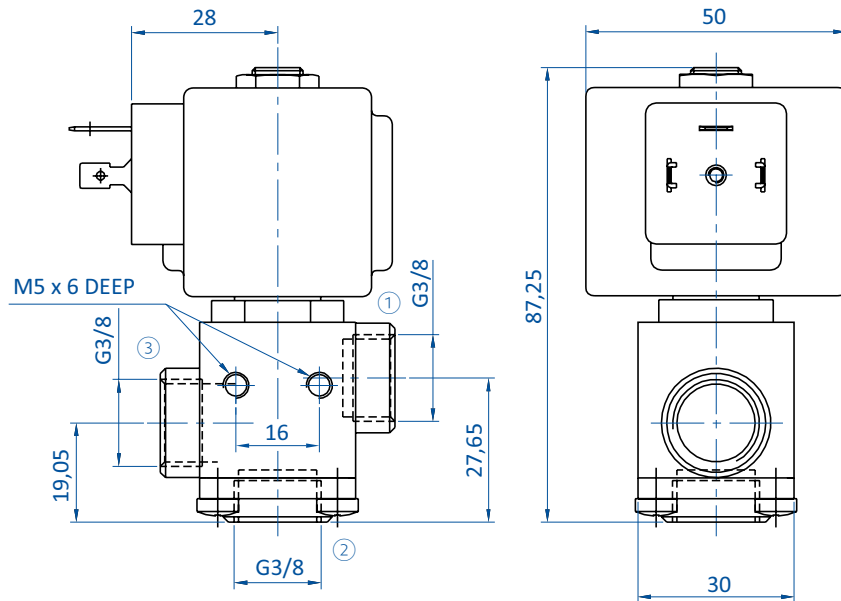


Assignment:

- ① = A (Product side)
- ② = P (Vacuum supply)
- ③ = R (Ventilation (Blow-off))



Dimensions



① = Product side ② = Vacuum supply ③ = Ventilation (Blow-off)