



3/2-way solenoid vacuum valve, directly controlled



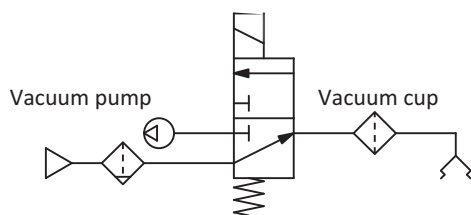
Product notes

- > Very high suction power at small size for short evacuation time and fast vacuum build-up
- > Small, compact and lightweight
- > Suction on/off, blow-off or ventilation of vacuum cups
- > HNBR diaphragm allows for flexible installation due to resistance against low ozone concentrations
- > Fast switching time
- > Factory set NO, can be switched to NC by the customer
- > To be mounted in any position
- > Resistance against low ozone concentration
- > Included in scope of delivery: coil 24 VDC and DIN plug
- > Other voltages on request

Technical data

Item no.	36.003
Connection	G 1/4
Nominal width [mm]	4.5
Nominal flow rate [m³/h]	2.1
Pressure range [bar (psi)]	-1 - 0 (-14.5 - 0)
Max. switching frequency [Hz]	10
Response time [ms]	20
Protection class	IP65
Operating principle	NC/NO
Duty ratio [%]	75
Operating voltage [VDC]	24
Power consumption [W]	4
DIN-plug	Yes
Operating temperature [°C (°F)]	-10 - 50 (14 - 122)
Weight [g]	155

Wiring diagram

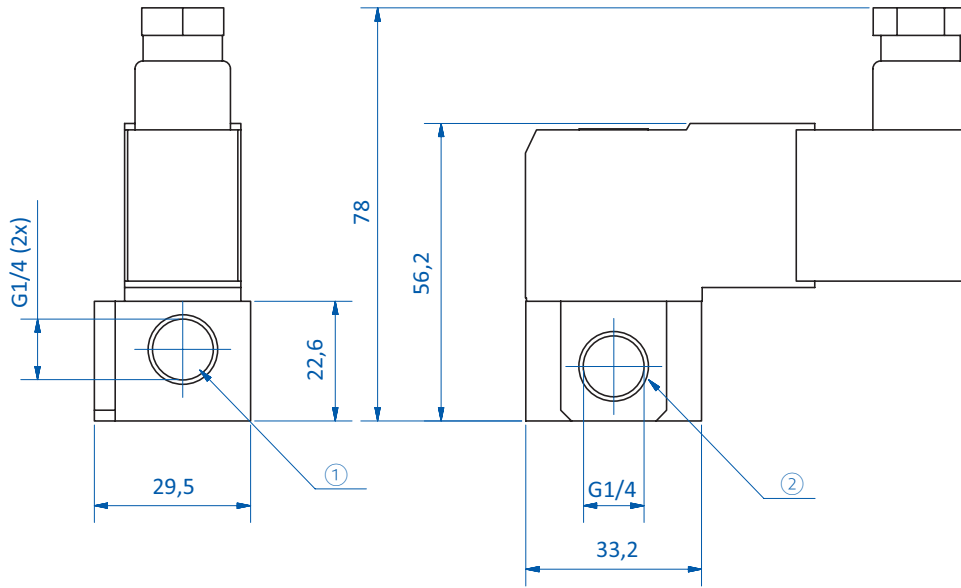




Control technology and system monitoring | Valve technology

3/2-way solenoid vacuum valve, directly controlled

Dimensions



① = Vacuum supply ② = Compressed air, blow-off