



2/2-way electromagnetic vacuum valves, directly controlled



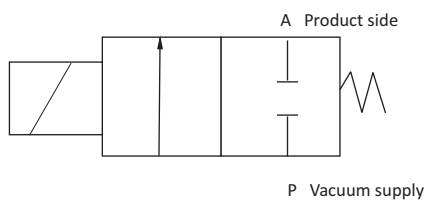
Product notes

- > Very high suction power at small size for short evacuation time and fast vacuum build-up
- > Short response time
- > Robust brass housing and compact design for demanding applications
- > Also suitable for positive pressure
- > Incl. energy-saving coil for minimized power consumption and less heat development
- > Energy-saving coil 24 VDC or 230 VAC and DIN plug IP65 included
- > Further available voltages:
 - VAC: 115, 48, 24
 - VDC: 12

Technical data

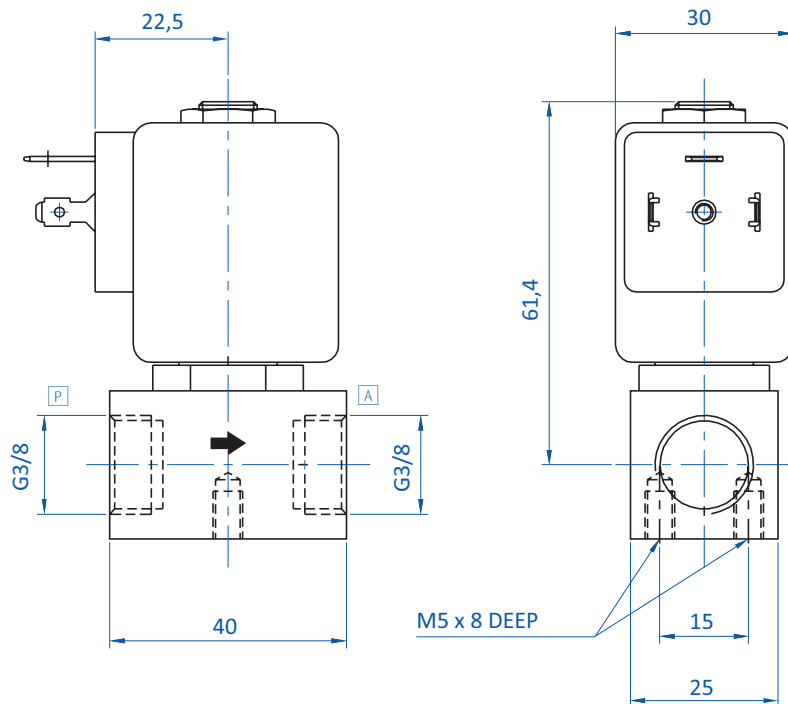
Item no.	36.004-24VDC	36.004-230VAC
Nominal width [mm]	7	7
Nominal flow rate [m ³ /h]	4.8	4.8
Pressure range [bar (psi)]	-0.99 - 5 (-14.4 - 72.5)	-1 - 4 (-14.5 - 58)
Operating principle	NC	NC
Switching time [ms]	20	20
Power-on time [ED]	100 %	100 %
Max. power consumption [W]	18	9
Protection class	IP65	IP65
Operating temperature [°C (°F)]	-10 - 60 (14 - 140)	-10 - 60 (14 - 140)
Weight [g]	520	520
Accessories	Plug: 10.007 Coil: 10.0050/24VDC	Plug: 10.007 Coil: 10.0050/230VAC

Wiring diagram





Dimensions



\square A = Product side \square P = Vacuum supply