



Valve technology | Non-return valves

Non-return valves with blow-off device

Non-return valves with blow-off device



Handling of wooden panels with ejector EIL.09 and check valve 32.638 (vacuum cup 102.070.234.4 for wood)

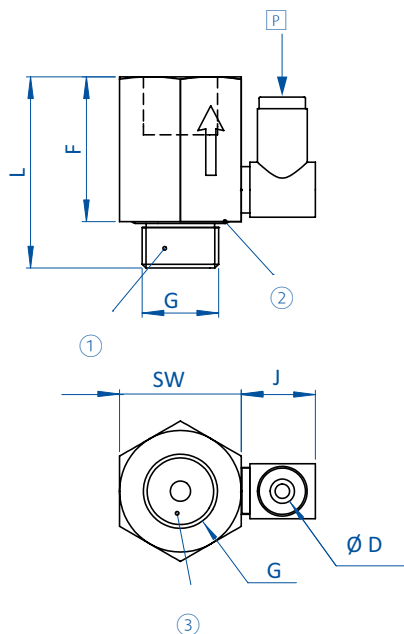
Product notes

- > Installation directly between vacuum cup and ejector
- > Short release time thanks to blow-off function via compressed air inlet P
- > Suitable as a safety valve: In cases of tubing damage, malfunction or emergency shutdown of the vacuum generator, the vacuum is maintained
- > Metal screen made from stainless steel (Inox) with mesh width of 200 μ prevents dirt from entering the ejector

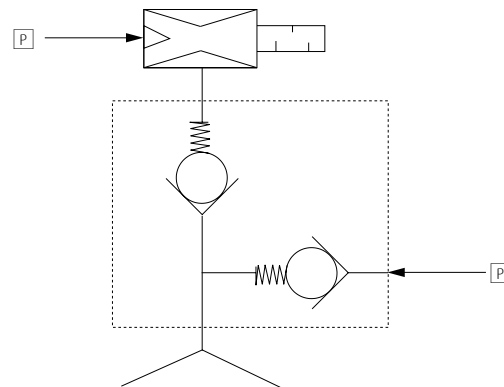
Technical data

Item no.	Minimum blow-off pressure [bar (psi)]	Suitable blow-off device
32.638	5 (72.5)	32.660 (p.525)

Dimensions



Wiring diagram



P = Compressed air blow-off at 5 bar (72.5 psi) 4/6 tubing ① = To the vacuum cup ② = O-ring ③ = To vacuum generator

Item no.	G	Ø D [mm]	F [mm]	L [mm]	J [mm]	SW
32.638	G1/4	4	25	33	14.2	21