



Flow control valves with filter, low leakage loss

Inch thread



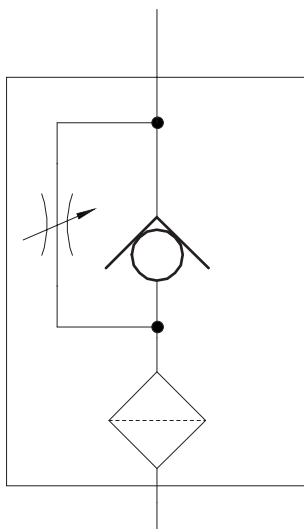
Product notes

- > Sealing of unused suction openings to maintain the system vacuum
- > Ball seat valve with filter (not suitable for high levels of dust or dirt)
- > Suitable for short cycle times
- > Limited leakage prevents premature triggering with porous workpieces
- > Preset at the factory, 63.003 can be adjusted if necessary
- > Vertical mounting, exception of 63.001 to 63.003: Any mounting position

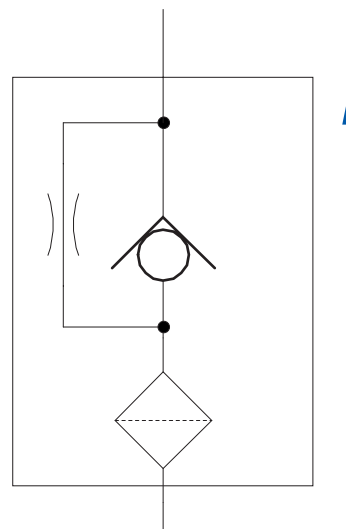
Technical data

Item no.	Suction power to achieve 30 % vacuum [NI/min]	Suction power to achieve 60 % vacuum [NI/min]	Max. flow rate with blow-off at 5 bar (72.5 psi) [NI/min]	Weight [g]
63.001	4	7	260	15
63.002	4	8	360	24
63.003	0 - 22.6	0 - 28.6	550	25
63.008	3	3	340	17
63.011	7	8	590	31
63.012	8	9	790	49
63.060	7	8	590	10

Wiring diagrams



63.003



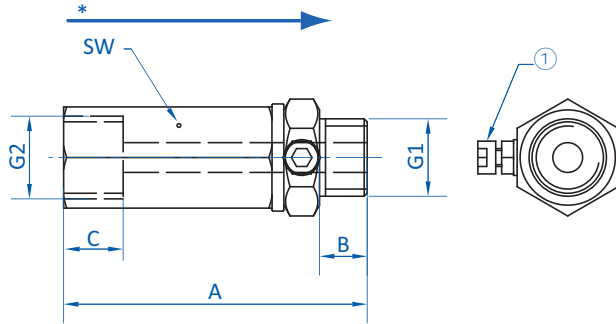
63.001 | 63.002 | 63.008 | 63.011 | 63.012 | 63.060



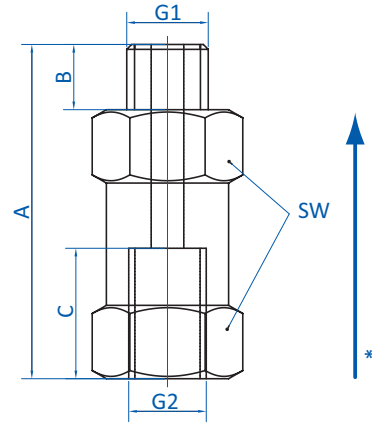
Valve technology | Flow control valves

Flow control valves with filter, low leakage loss

Dimensions



63.001 | 63.002 | 63.003



63.008 | 63.011 | 63.012 | 63.060

① = Adjusting screw for 63.003 * = Flow direction

Item no.	G1	G2	A [mm]	B [mm]	C [mm]	SW
63.001	G1/8-male	G1/8-IG	49	8	10	14
63.002	G1/4-male	G1/4-IG	51	8	8	17
63.003	G1/4-male	G1/4-IG	51	8	9	17
63.008	G1/4-male	G1/4-IG	36	10	11	17
63.011	G3/8-male	G3/8-IG	39	10	12	22
63.012	G1/2-male	G1/2-IG	41	12	12	27
63.060	R1/8-male	R1/8-IG	33.5	8	8	14