



Valve technology | Flow control valves

Flow control valves with flow pin and filter, low leakage loss

Flow control valves with flow pin and filter, low leakage loss

Metric thread



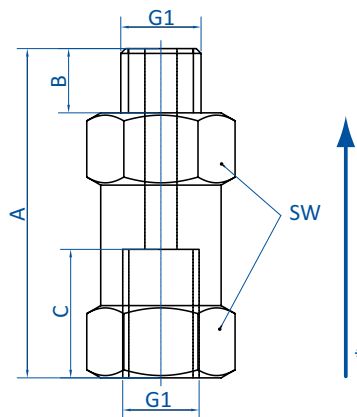
Product notes

- > Sealing of unused suction openings to maintain the system vacuum
- > Ball seat valve with filter (not suitable for high levels of dust or dirt)
- > Suitable for short cycle times
- > Low leakage prevents premature triggering with porous workpieces

Technical data

Item no.	Suction power to achieve 30 % vacuum [NI/min]	Suction power to achieve 60 % vacuum [NI/min]	Max. flow rate with blow-off at 5 bar (72.5 psi) [NI/min]	Leakage loss [m ³ /h]	Weight [g]
63.058	1	1	80	0.105	6
63.059	1.5	1.5	100	0.105	12

Dimensions



* = Flow direction

Item no.	G1	A [mm]	B [mm]	C [mm]	SW
63.058	M5	19.9	3	4.5	10
63.059	M6	28.1	4	4.9	12