



### Flow control valves with flow pin

For handling of porous products



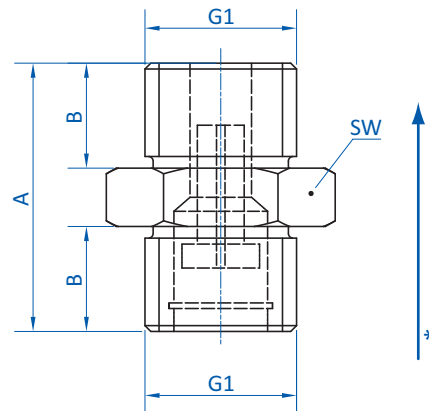
#### Product notes

- > Sealing of unused suction openings to maintain the system vacuum
- > Limited leakage prevents premature triggering with porous workpieces
- > Compact design
- > Optimal installation position is vertical

#### Technical data

Item no.	Suction power to achieve 30 % vacuum [NI/min]	Suction power to achieve 60 % vacuum [NI/min]	Max. flow rate with blow-off at 5 bar (72.5 psi) [NI/min]	Flow pin bore hole diameter [mm]	Leakage loss [m <sup>3</sup> /h]	Weight [g]
63.036	5	5	370	0.8	0.46	8
63.037	11	11	620	1.2	1.04	8
63.038	17	18	480	1.5	1.62	8
63.055	3	3	320	0.6	0.21	8

#### Dimensions



\* = Flow direction

Item no.	G1	A [mm]	B [mm]	SW
63.036	G1/4	23	9	17
63.037	G1/4	23	9	17
63.038	G1/4	23	9	17
63.055	G1/8	16	5	12