



Control technology | Pressure regulators

Pressure regulators – screw-in type, with pressure gauge

Pressure regulators – screw-in type, with pressure gauge



Product notes

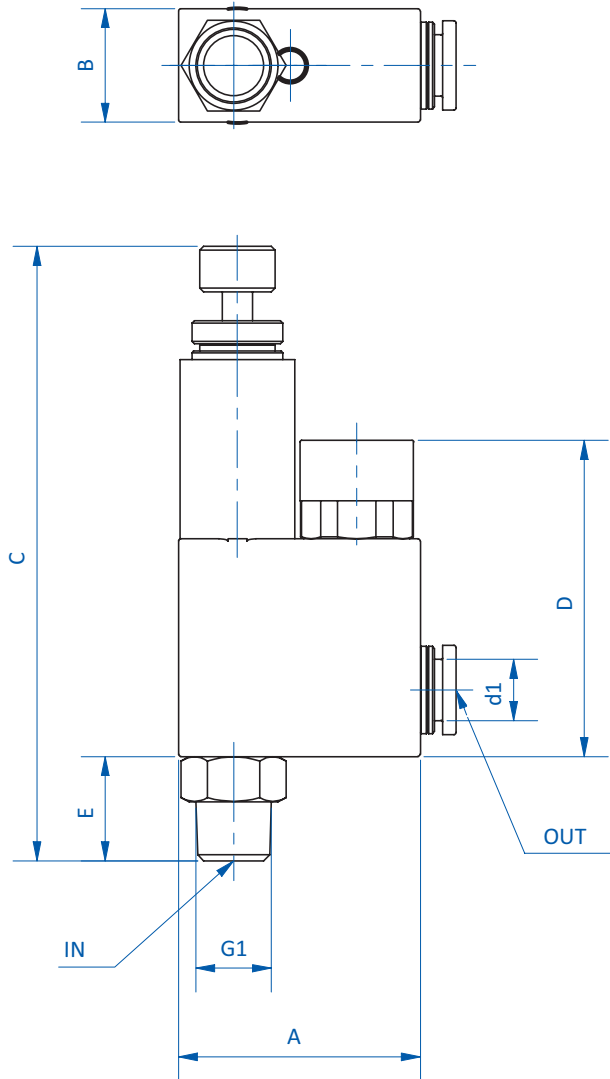
- > Defined reduction in operating pressure for ejectors, limitation of holding force of grippers
- > Pressure adjustment by means of knurled screw, pressure monitoring by means of gauges (readout in MPa)
- > Integrated overpressure protection
- > Only suitable for compressed air

Technical data

Item no.	Operating pressure [bar (psi)]	Regulating range [bar (psi)]	Accuracy (±) [%]	Operating temperature [°C (°F)]	Weight [g]
32.587	0 - 9 (0 - 130.5)	1 - 8 (14.5 - 116)	5	0 - 60 (32 - 140)	28
32.588	0 - 9 (0 - 130.5)	1 - 8 (14.5 - 116)	5	0 - 60 (32 - 140)	55
32.589	0 - 9 (0 - 130.5)	1 - 8 (14.5 - 116)	5	0 - 60 (32 - 140)	28
32.590	0 - 9 (0 - 130.5)	1 - 8 (14.5 - 116)	5	0 - 60 (32 - 140)	55
32.591	0 - 9 (0 - 130.5)	1 - 8 (14.5 - 116)	5	0 - 60 (32 - 140)	84
32.592	0 - 9 (0 - 130.5)	1 - 8 (14.5 - 116)	5	0 - 60 (32 - 140)	55
32.593	0 - 9 (0 - 130.5)	1 - 8 (14.5 - 116)	5	0 - 60 (32 - 140)	84



Dimensions



Item no.	G1	d1 [mm]	A [mm]	B [mm]	C [mm]	D [mm]	E [mm]
32.587	M5	4	27.5	15	57.5	42	3.5
32.588	R1/8	4	36	15	81.5	42	8
32.589	M5	6	28	15	57.5	42	3.5
32.590	R1/8	6	36.5	15	81.5	42	8
32.591	R1/4	6	39.5	19	89.5	42	11
32.592	R1/8	8	36.5	15	81.5	42	8
32.593	R1/4	8	39.5	19	89.5	42	11