



Pressure regulators – screw-in type



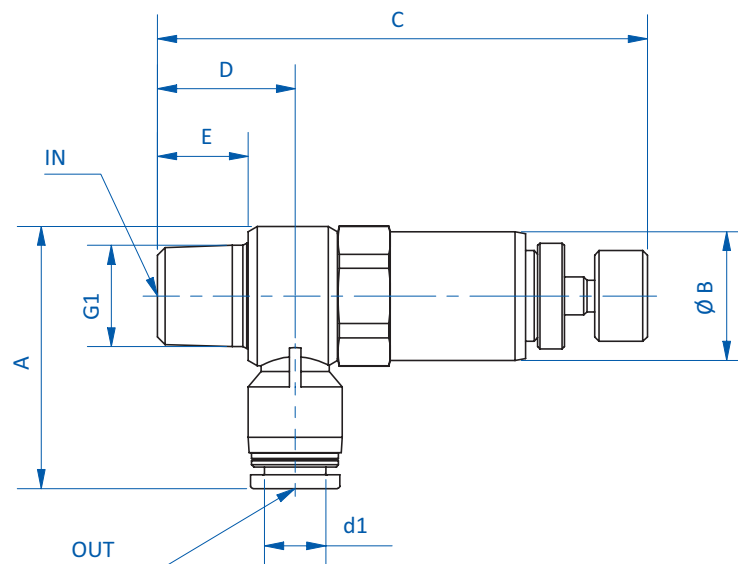
Product notes

- > Defined reduction in operating pressure for ejectors, limitation of holding force of grippers
- > Pressure adjustment by means of knurled screw
- > Integrated overpressure protection
- > Only suitable for compressed air

Technical data

Item no.	Operating pressure [bar (psi)]	Regulating range [bar (psi)]	Accuracy (±) [%]	Operating temperature [°C (°F)]	Weight [g]
32.570	0 - 9 (0 - 130.5)	1 - 8 (14.5 - 116)	5	0 - 60 (32 - 140)	16
32.571	0 - 9 (0 - 130.5)	1 - 8 (14.5 - 116)	5	0 - 60 (32 - 140)	36
32.572	0 - 9 (0 - 130.5)	1 - 8 (14.5 - 116)	5	0 - 60 (32 - 140)	17
32.573	0 - 9 (0 - 130.5)	1 - 8 (14.5 - 116)	5	0 - 60 (32 - 140)	37
32.574	0 - 9 (0 - 130.5)	1 - 8 (14.5 - 116)	5	0 - 60 (32 - 140)	59
32.575	0 - 9 (0 - 130.5)	1 - 8 (14.5 - 116)	5	0 - 60 (32 - 140)	38
32.576	0 - 9 (0 - 130.5)	1 - 8 (14.5 - 116)	5	0 - 60 (32 - 140)	60

Dimensions





Item no.	G1	d1 [mm]	A [mm]	Ø B [mm]	C [mm]	D [mm]	E [mm]
32.570	M5	4	20.5	10	48.5	9	3.5
32.571	R1/8	4	28.5	14	60	14.5	8
32.572	M5	6	22.5	10	48.5	9.5	3.5
32.573	R1/8	6	30.5	14	60	14.5	8
32.574	R1/4	6	34	17	65	17.5	11
32.575	R1/8	8	34	14	60	15.5	8
32.576	R1/4	8	37	17	65	18.5	11